

SINGLE HOLE MOUNT LAVATORY FAUCET


Description

- Single hole mount
- 9 1/16" spout with brass Touch Down drain assembly
- Ceramic disc cartridge

Flow & Valving

- See Chart

Standards

- ASME A112.18.1
- CSA B125
- NSF 61-9
- Listed IAPMO/UPC
- Energy policy act of 1992
- ADA Accessibility Guidelines for Buildings and Facilities - 4.27.4 Controls and Mechanisms 

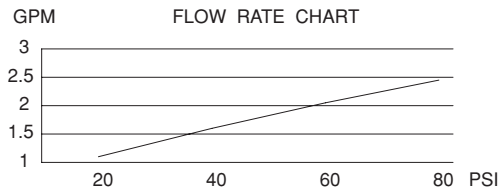


D223140
FAIRMONT™



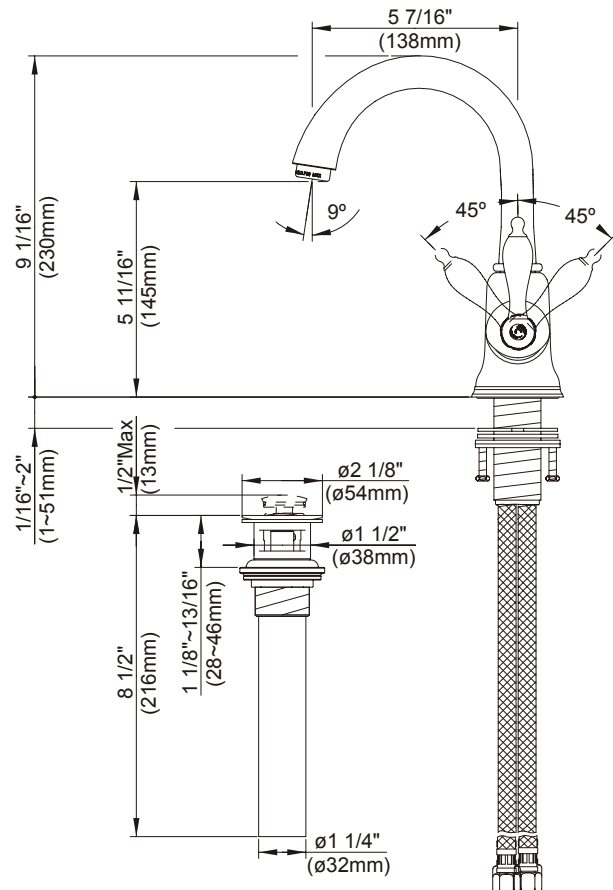
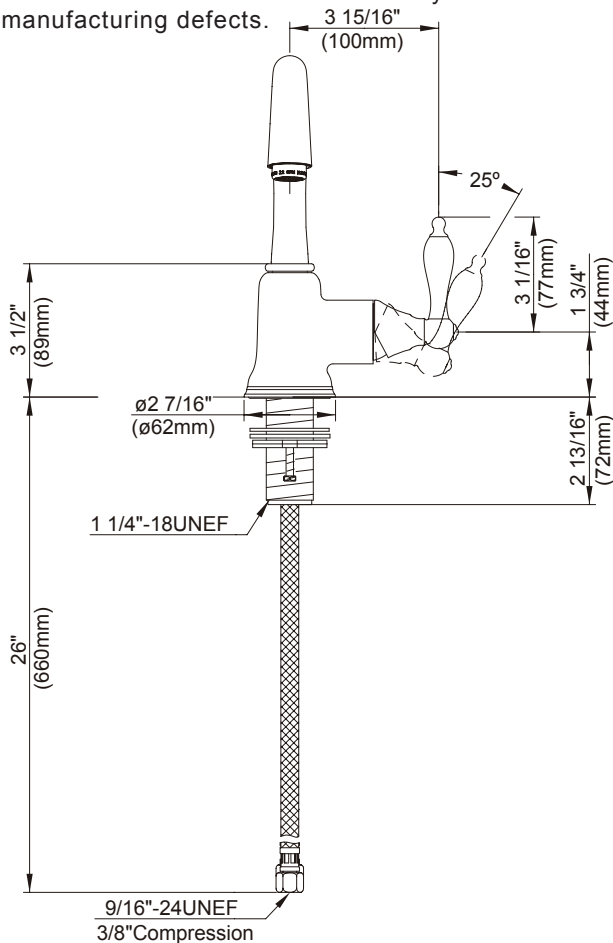
Available Colors & Finish

- Chrome
- Brushed Nickel (BN)
- Distressed Nickel (DN)
- Oil Rub Bronze (RB)



Warranty

Danze products are covered by a manufacturer's limited "lifetime" warranty for manufacturing defects.



Specific Features: _____ Submitted Model No.: _____

SD223140/04-07.01