

SINGLE HOLE MOUNT LAVATORY FAUCET (Produced after 06.25.08)


Description

- Single hole mount
- 9 1/16" spout with brass Touch Down drain assembly
- Ceramic disc cartridge
- Fits 1 3/8" to 1 1/2" diameter mounting hole

Flow & Valving

- See Chart

Standards

- ASME A112.18.1
- CSA B125
- NSF 61-9
- Listed IAPMO/UPC
- Energy policy act of 1992
- ADA Accessibility Guidelines for Buildings and Facilities - 4.27.4 Controls and Mechanisms 
- Manufactured in compliance with EPA High Efficiency Lavatory Faucet Specification

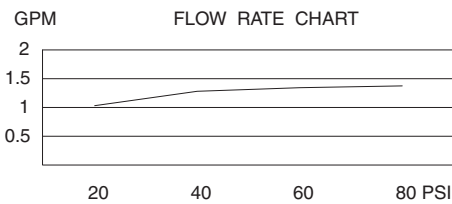


D223140
FAIRMONT™



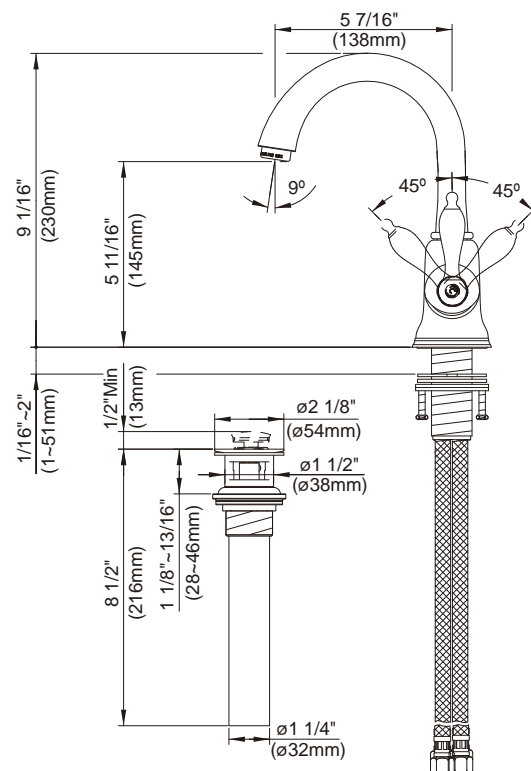
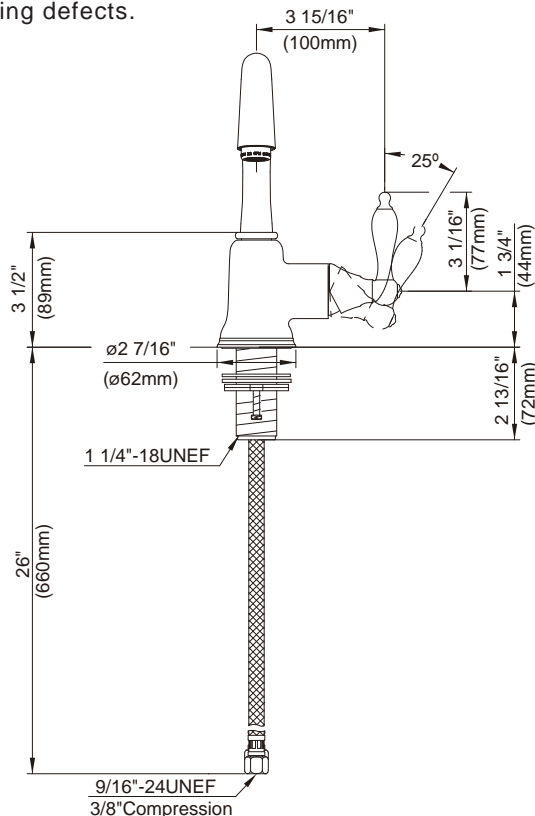
Available Colors & Finish

- Chrome
- Brushed Nickel (BN)
- Distressed Nickel (DN)
- Oil Rub Bronze (RB)
- Distressed Bronze (RBD)



Warranty

Danze products are covered by a manufacturer's limited "lifetime" warranty for manufacturing defects.



Specific Features: _____ Submitted Model No.: _____

SD223140/09-08.03