


ROMAN TUB FAUCET

Description

- 2 handle with solid brass spout
- Spout plug for pressure testing & plaster guard
- Installs in decks up to 3" thickness
- Fits 1 3/8" to 1 1/2" diameter mounting hole

Standards

- ASME A112.18.1
- CSA B125
- Listed IAPMO/UPC
- ADA Accessibility Guidelines for Buildings and Facilities - 4.27.4 Controls and Mechanisms 

Warranty

Danze products are covered by a manufacturer's limited "lifetime" warranty for manufacturing defects.



D302550
TIBURON™



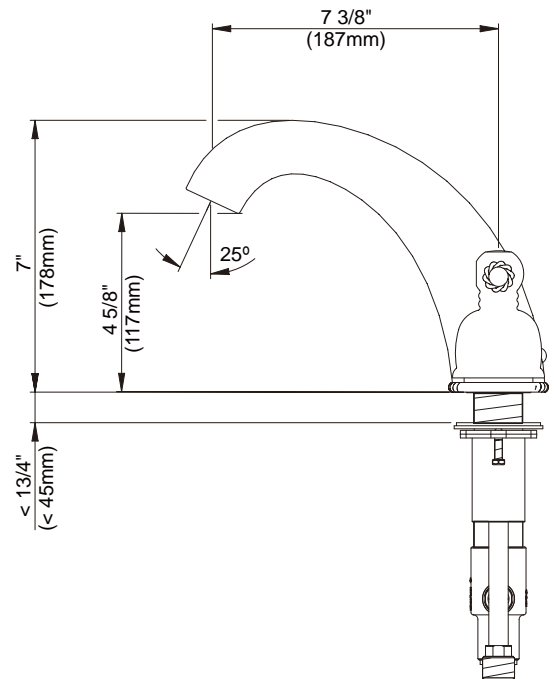
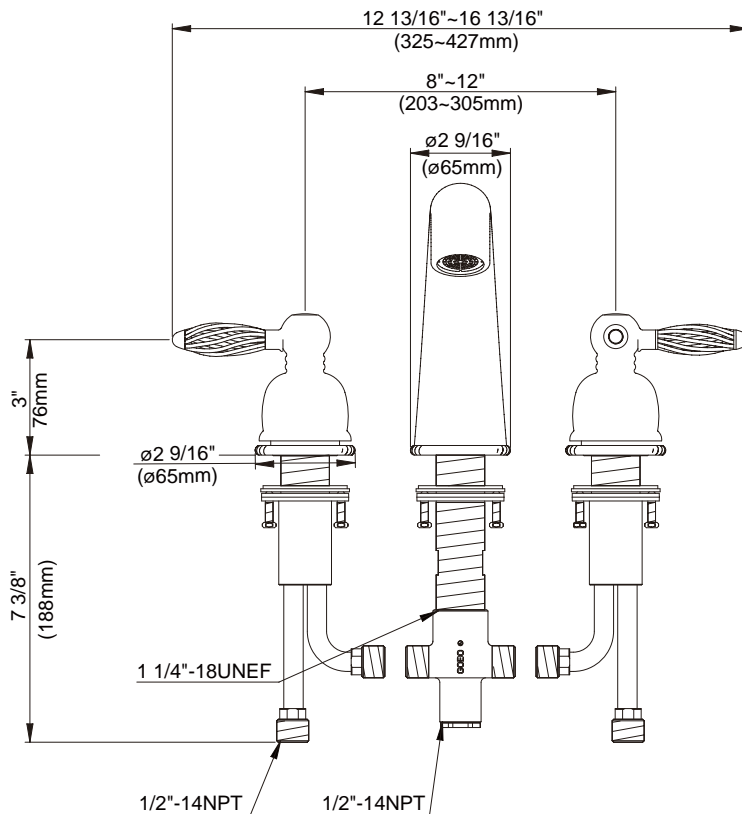
Available Colors & Finish

- Brushed Nickel (BN)
- Satin Black (BS)

Trim Kits : (for use w/ rough-in valves)
D302550T

Special Packaging

- This product also available with valve packaged separate from trim.
- Use with rough-in valve: D210000BT (10" CC fixed) or D215000BT (widespread)
- Valves are combination 1/2" copper sweat, 1/2" NPT threaded connectors for all ports

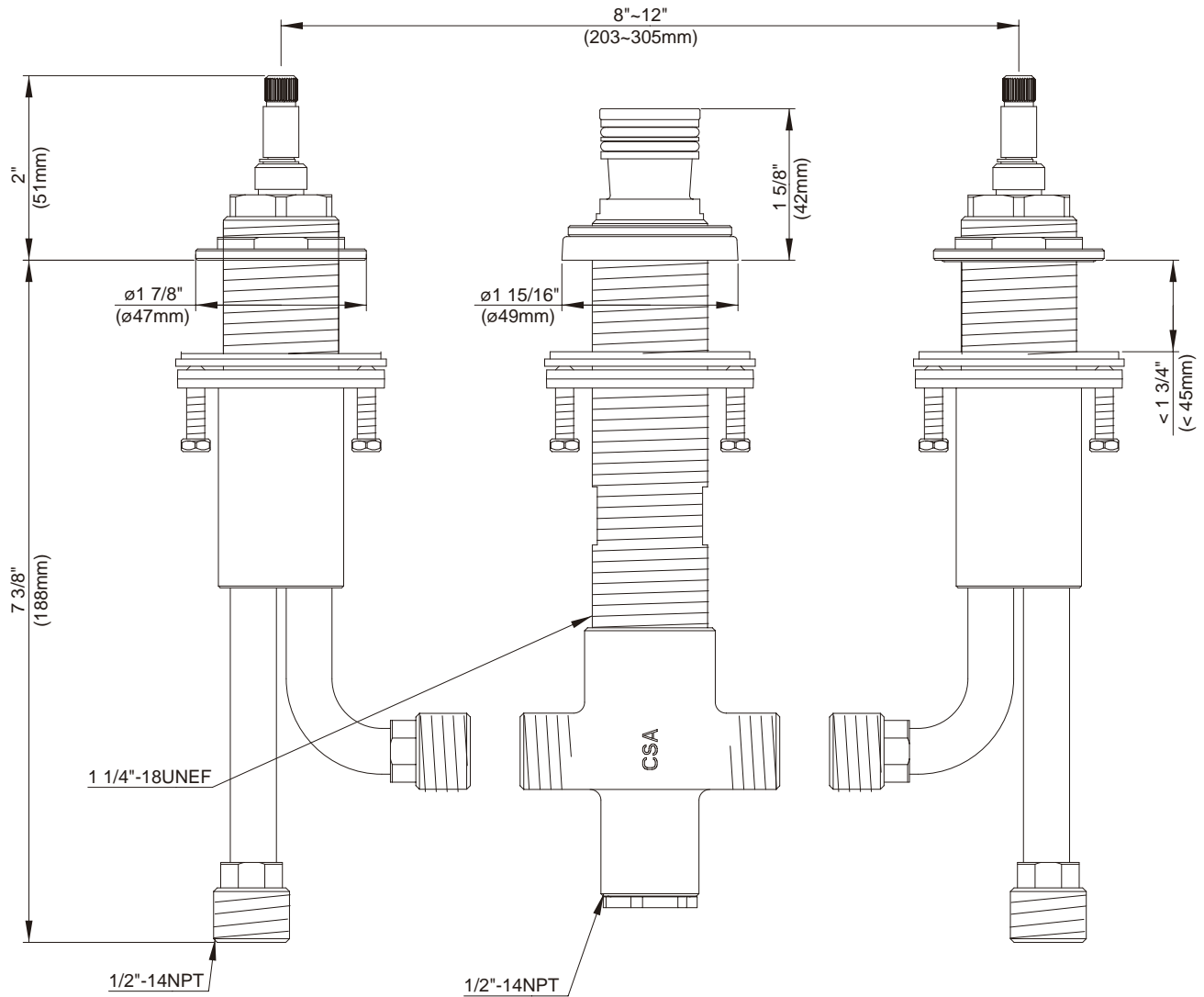


Specific Features: _____ Submitted Model No.: _____

SD302550/09-07.02

ROMAN TUB FAUCET ROUGH-IN VALVES-CRITICAL DIMENSIONS

Rough-in valve D215000BT (widespread)



* Installation method shown is for deck thickness of less than 1-3/4".
If the installation is for deck thickness between 1-3/4" and 3-1/2", the sleeve nut needs to be reversed.

Specific Features: _____ Submitted Model No.: _____

SD302550/09-07.02