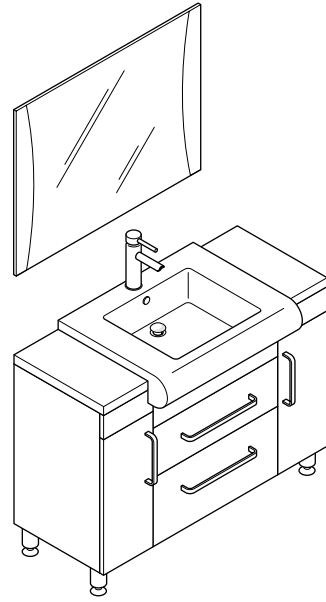
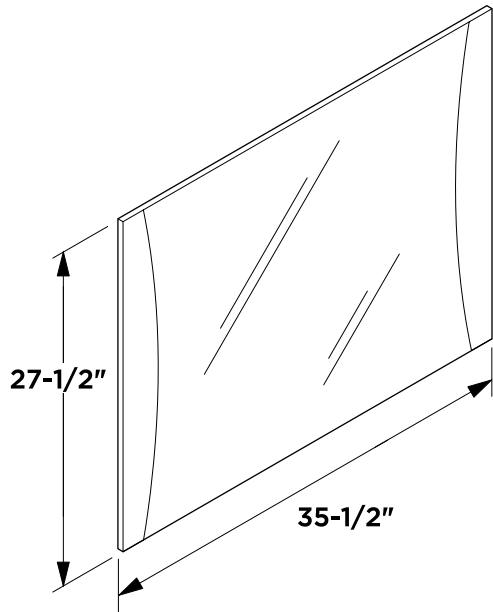
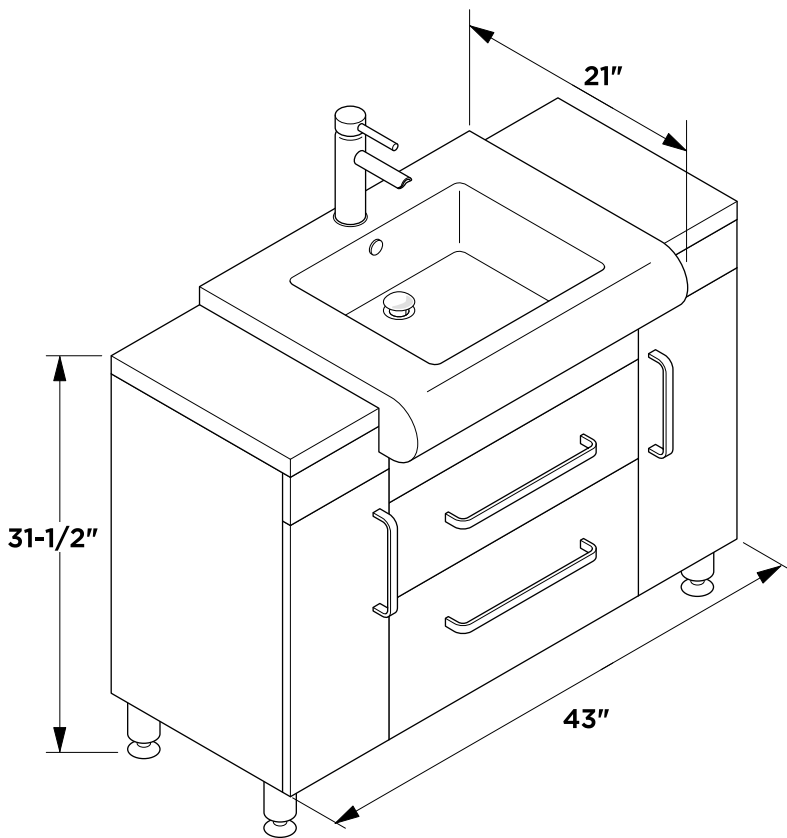


Mirror

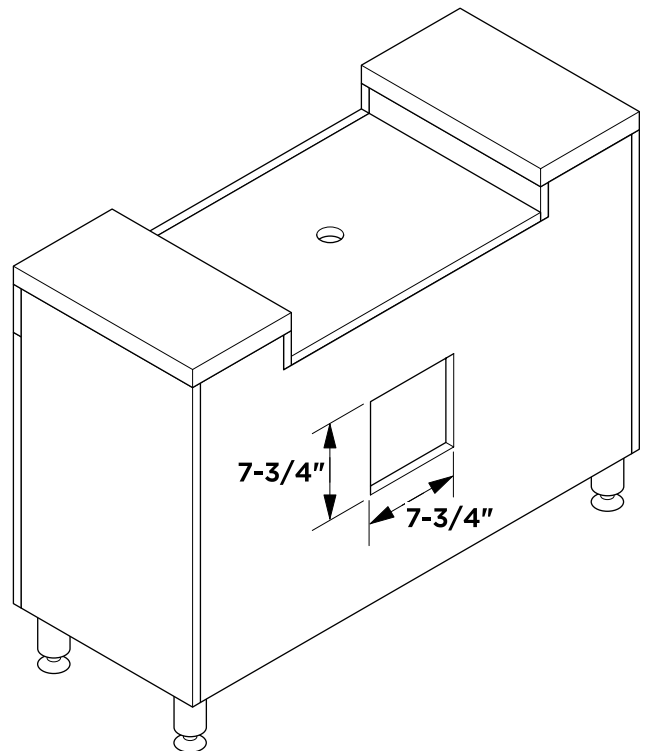


FVN3013WG

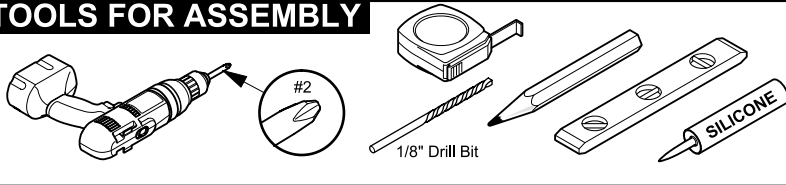
Vanity Front



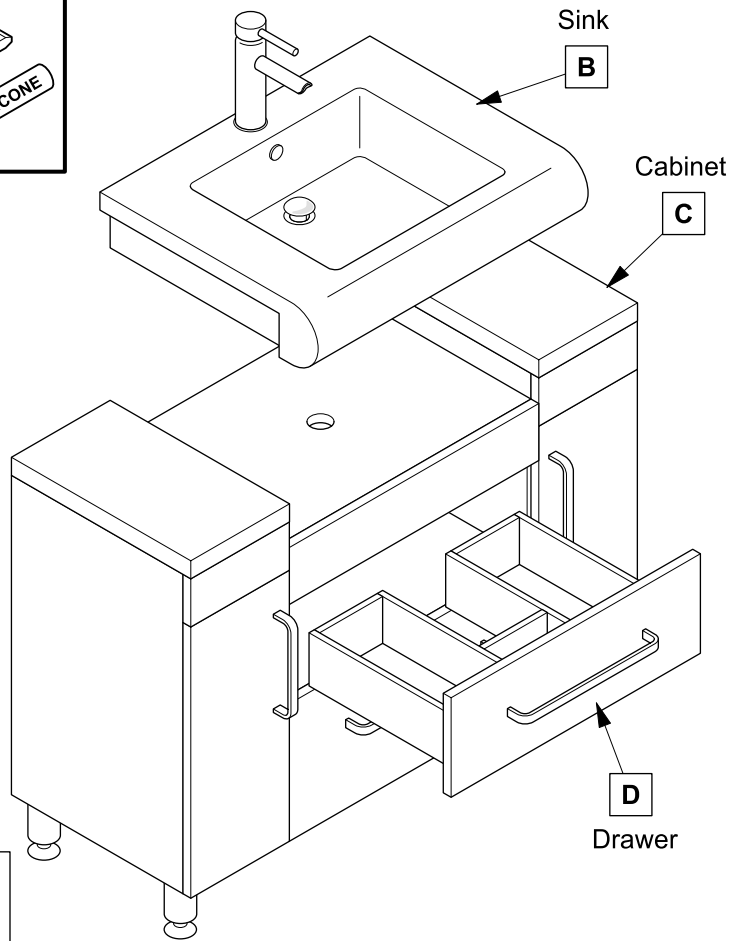
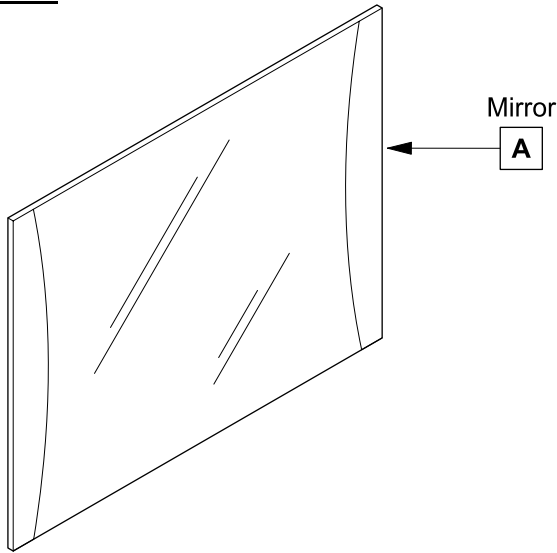
Vanity Back



TOOLS FOR ASSEMBLY

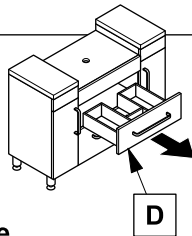


PARTS

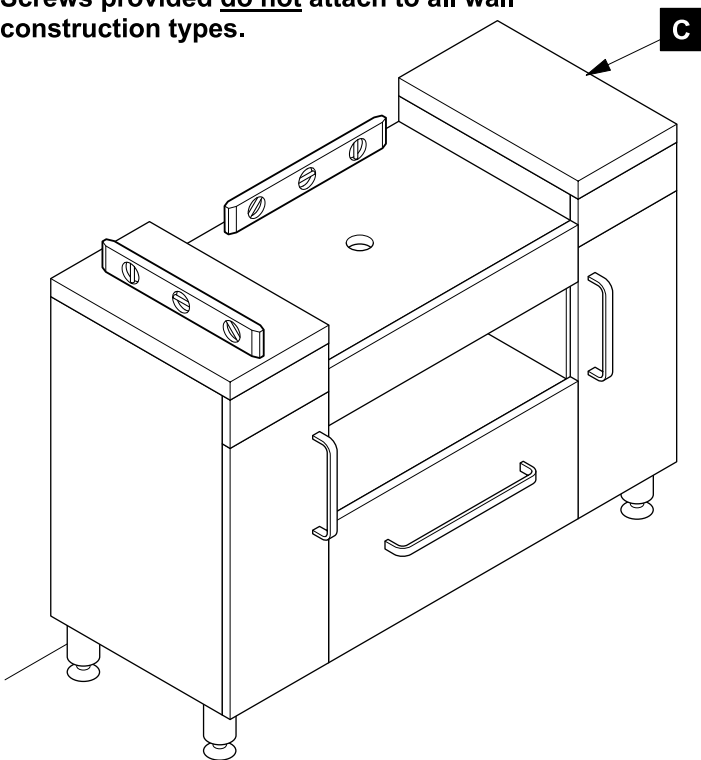


1 Remove drawer (D)

2 Install cabinet (C)



IMPORTANT: Consult an expert for the proper screws/bolts to use when attaching to various wall constructions. Screws provided do not attach to all wall construction types.



3 Apply silicone and install sink (B)

4 Install Mirror (A)

