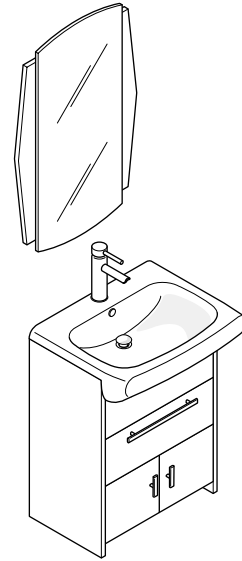
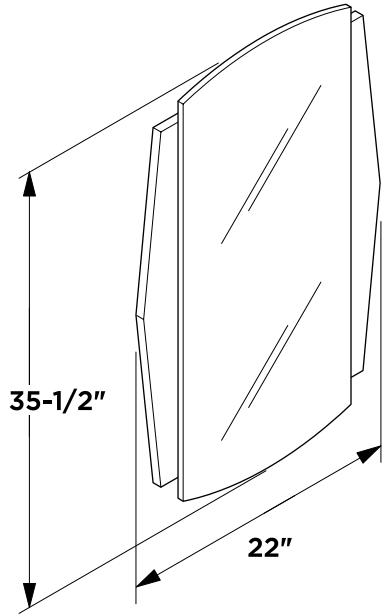


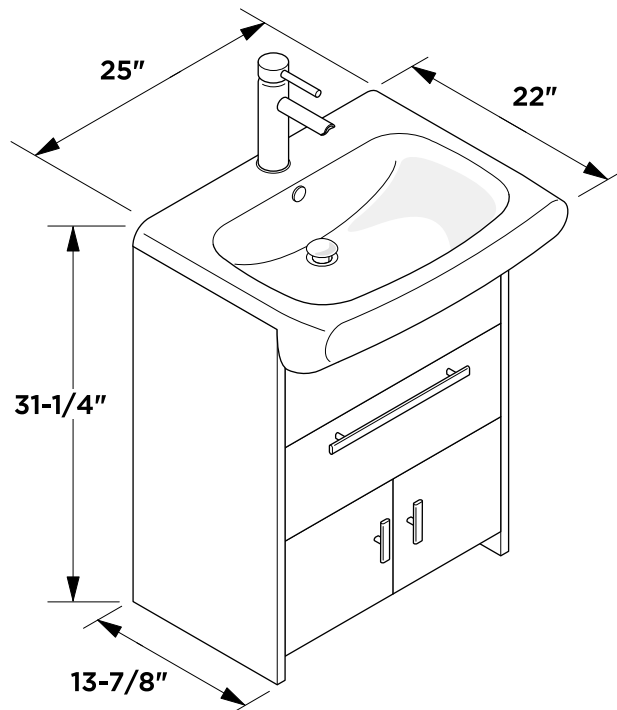


Mirror

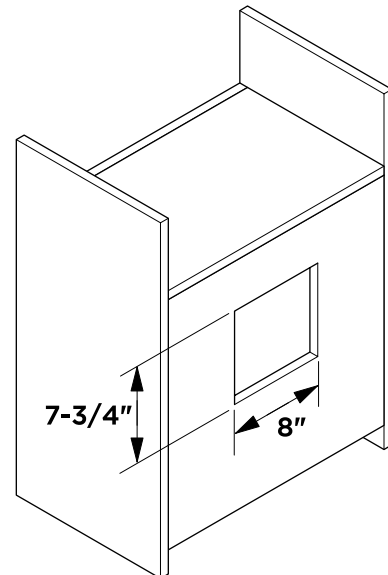


FVN3021WG

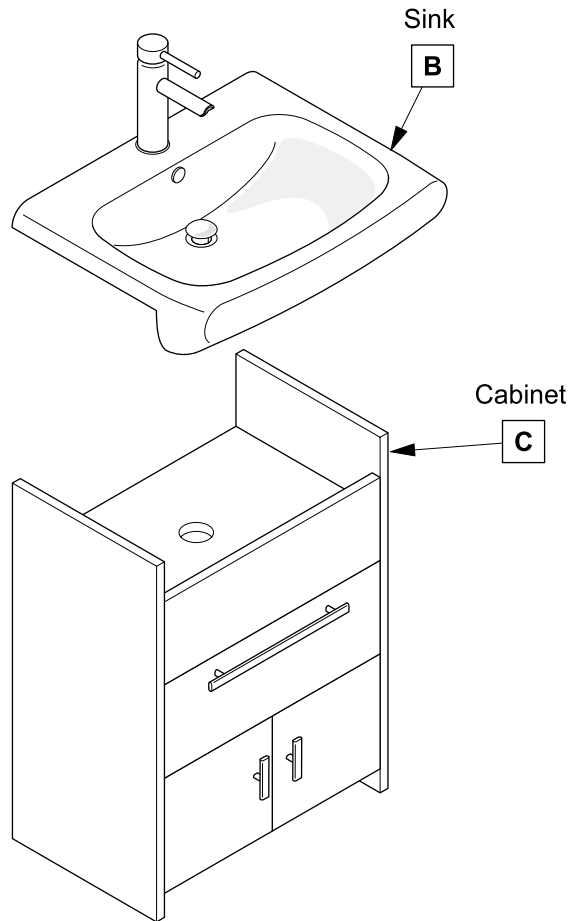
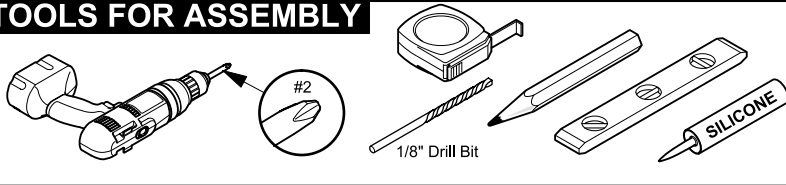
Vanity Front



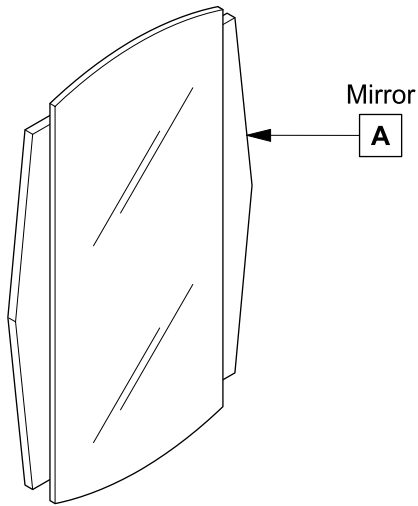
Vanity Back



TOOLS FOR ASSEMBLY



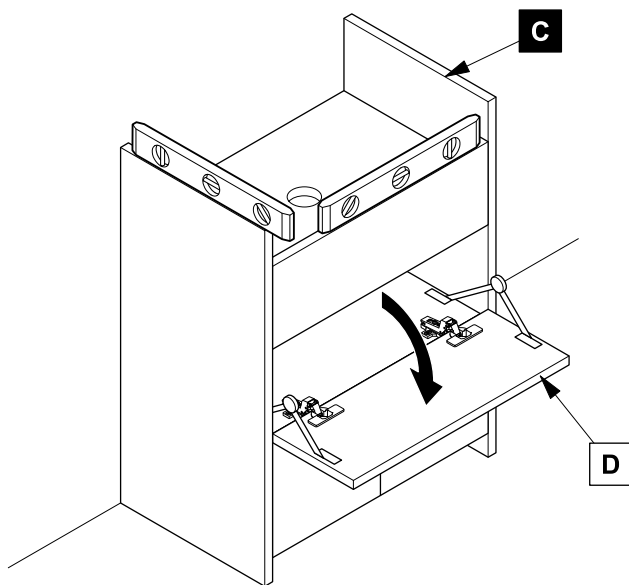
PARTS



1 Install cabinet (C)

2 Open door (D)

IMPORTANT: Consult an expert for the proper screws/bolts to use when attaching to various wall constructions. Screws provided do not attach to all wall construction types.



3 Apply silicone and install sink (B)

4 Install Mirror (A)

