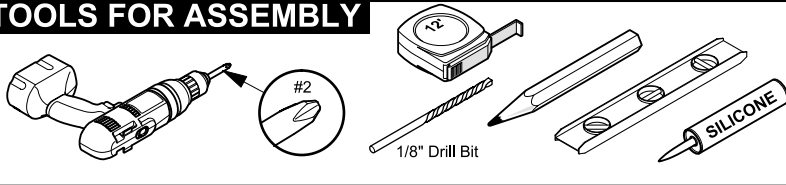
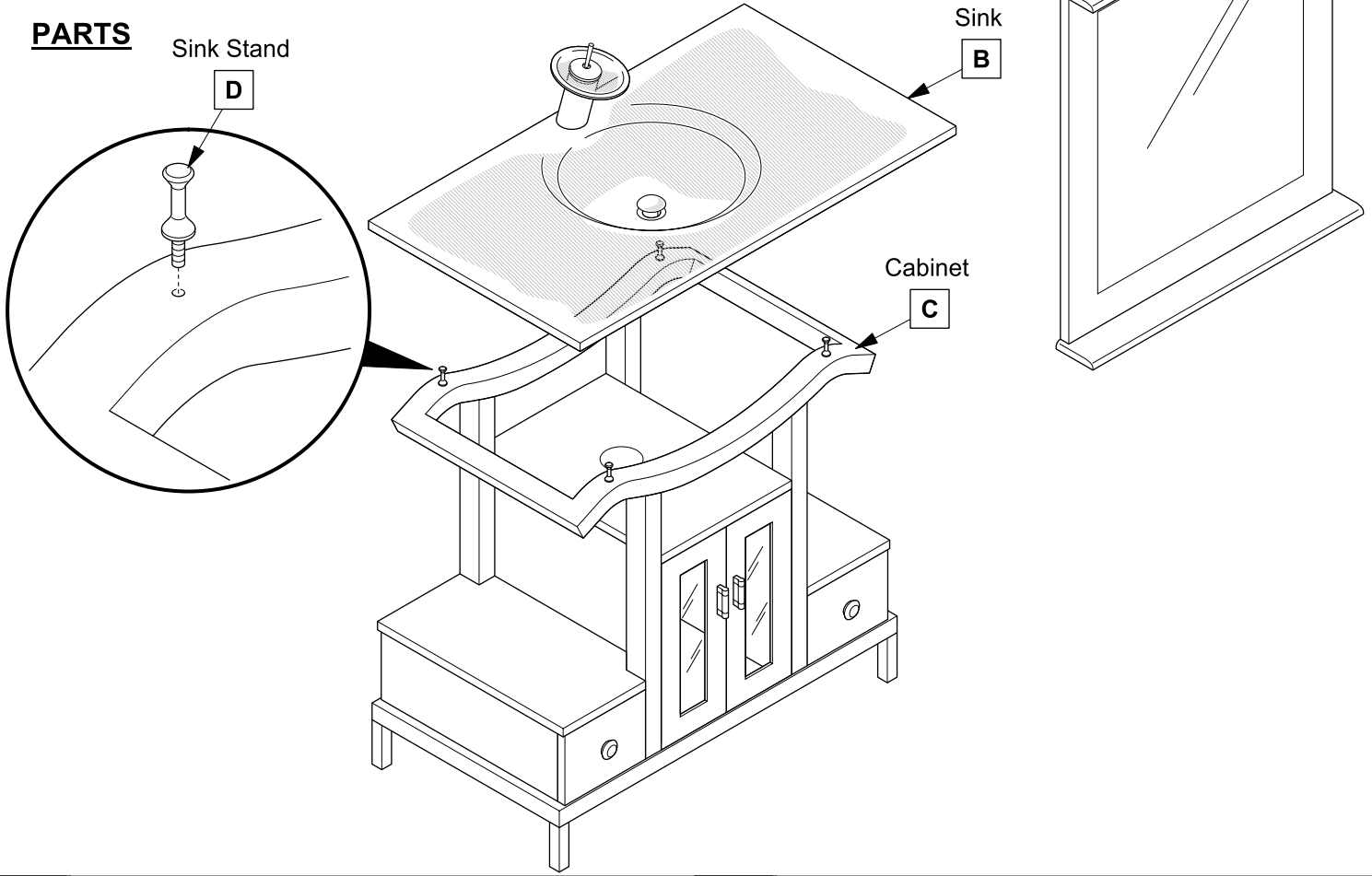


TOOLS FOR ASSEMBLY

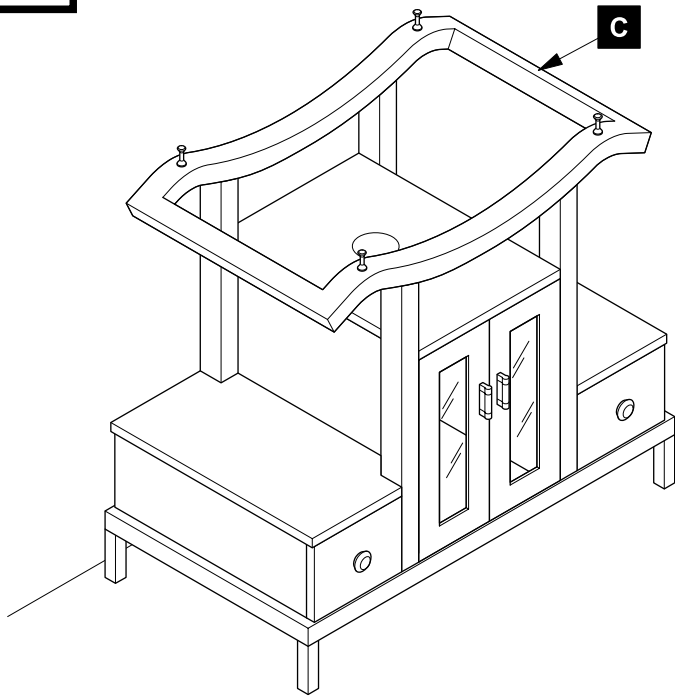


PARTS



1

Position cabinet (C)



2

Install sink (B)

