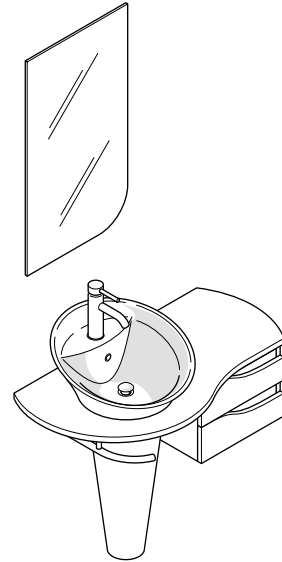
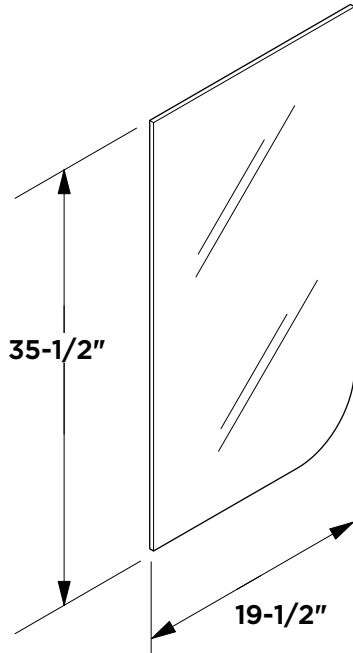




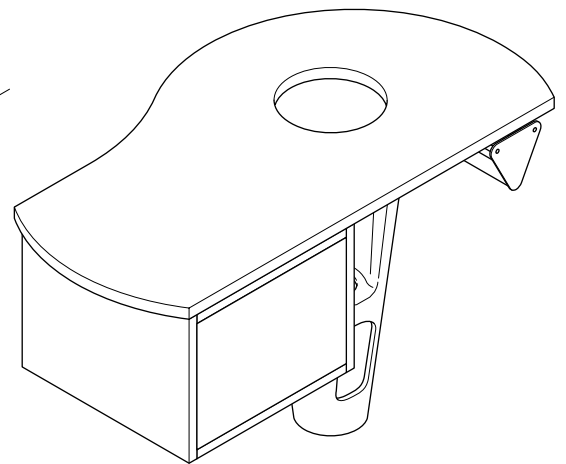
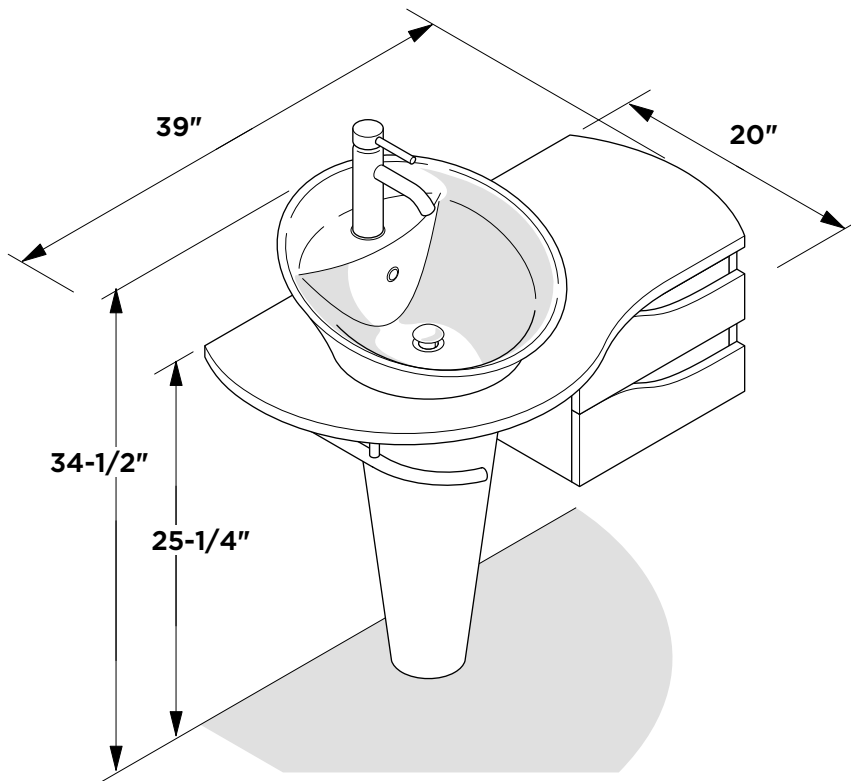
Mirror



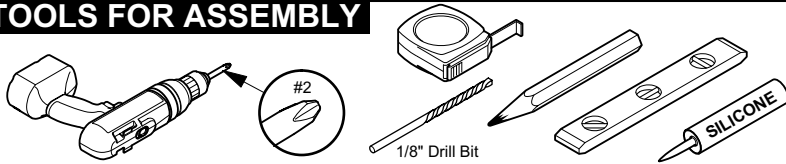
FVN3511

Vanity Front

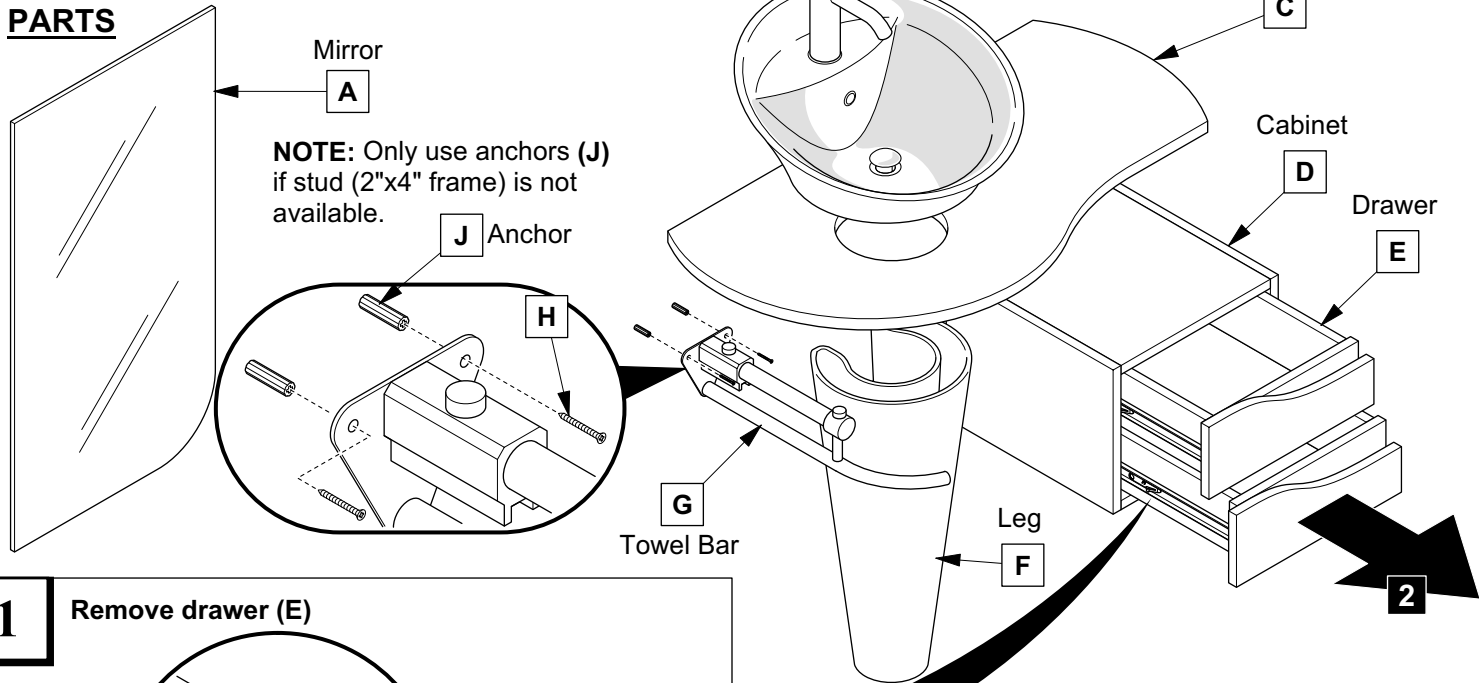
Vanity Back



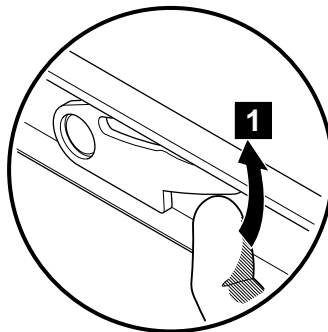
TOOLS FOR ASSEMBLY



PARTS



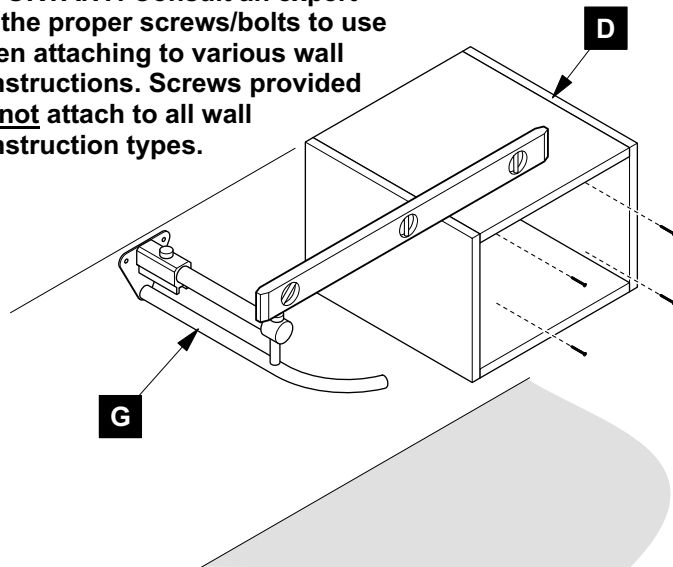
1 Remove drawer (E)



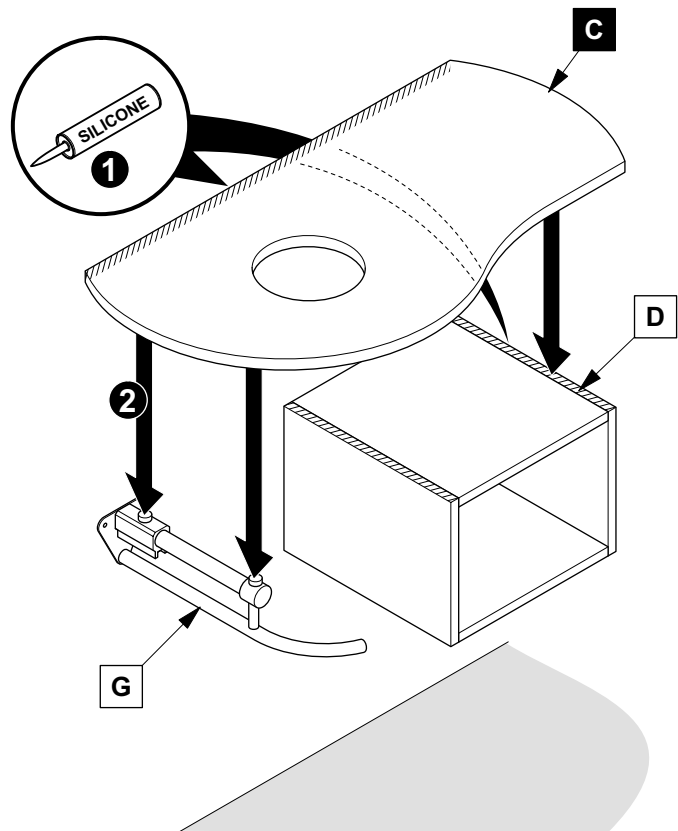
2 Install cabinet (D)

3 Install towel bar (G)

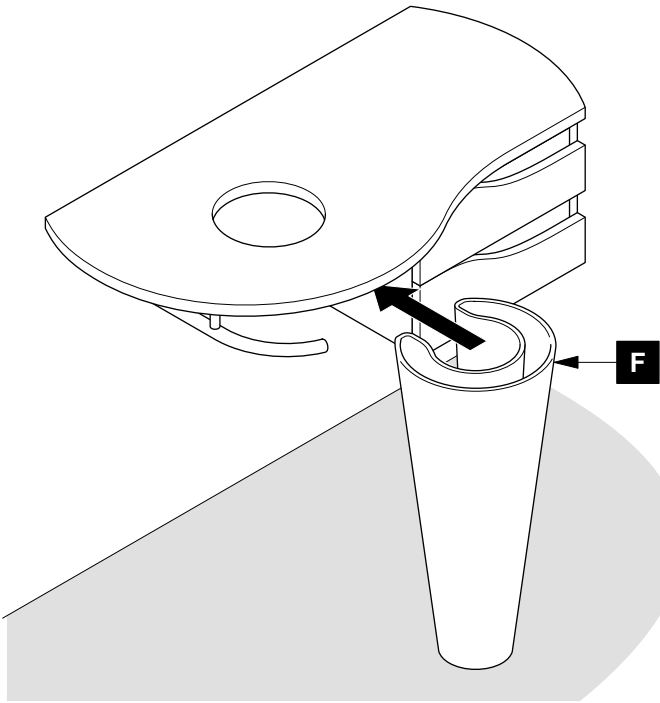
IMPORTANT: Consult an expert for the proper screws/bolts to use when attaching to various wall constructions. Screws provided do not attach to all wall construction types.



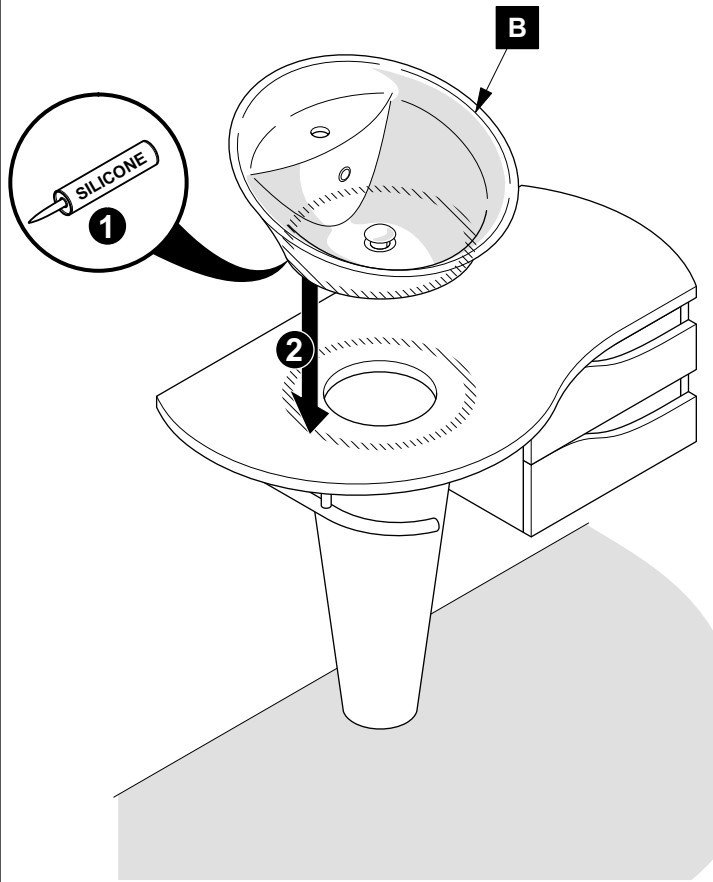
4 Install countertop (E)



5 Slide leg (F) into position



6 Apply silicone and install sink (B)



7 Install mirror (A)

