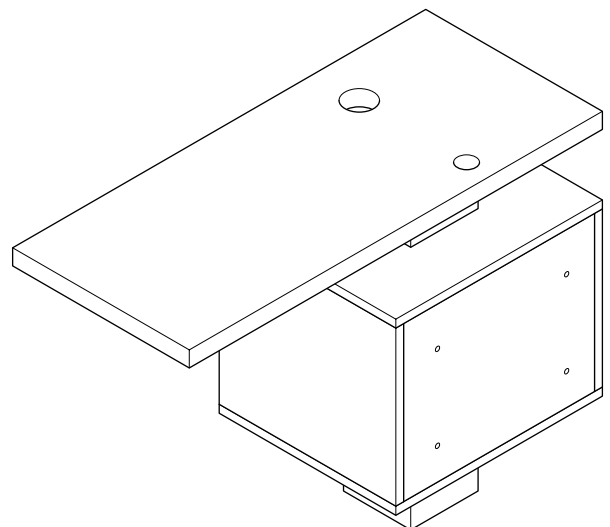
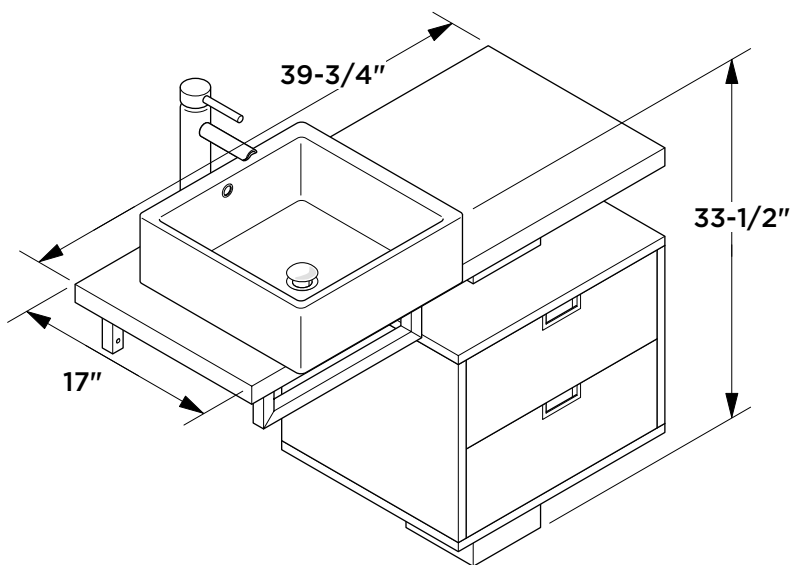


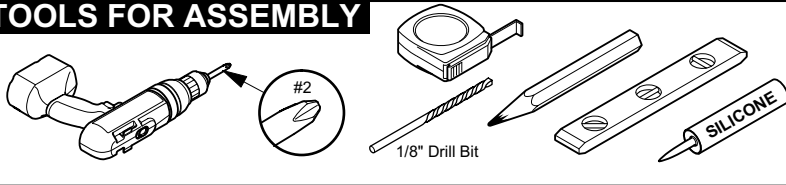
FVN3517

Vanity Front

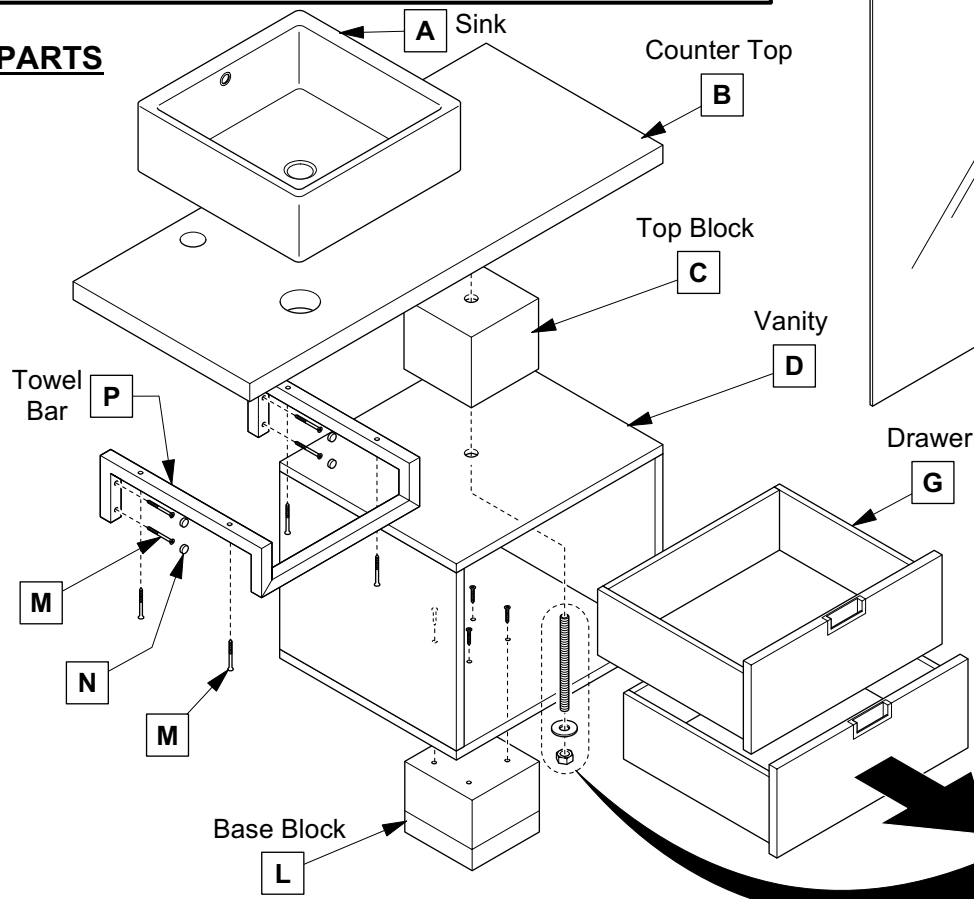
Vanity Back



TOOLS FOR ASSEMBLY



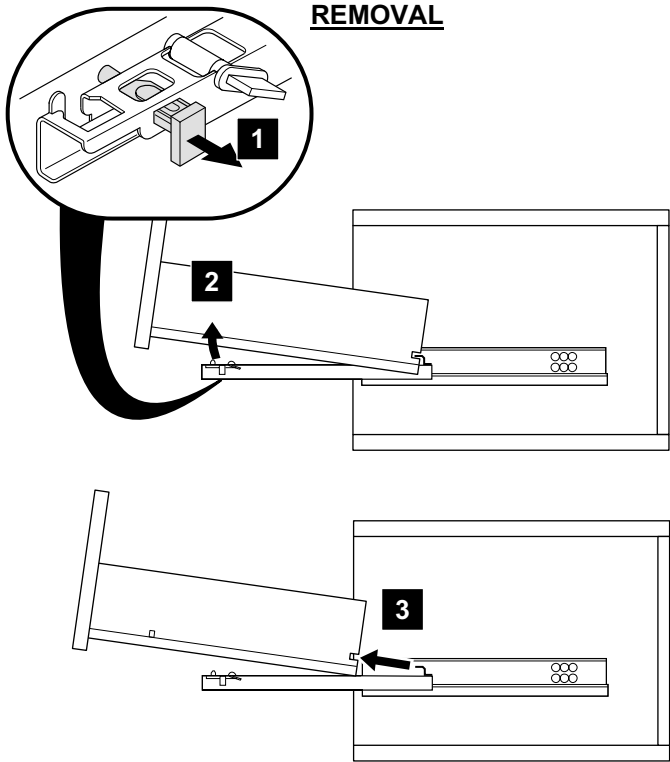
PARTS



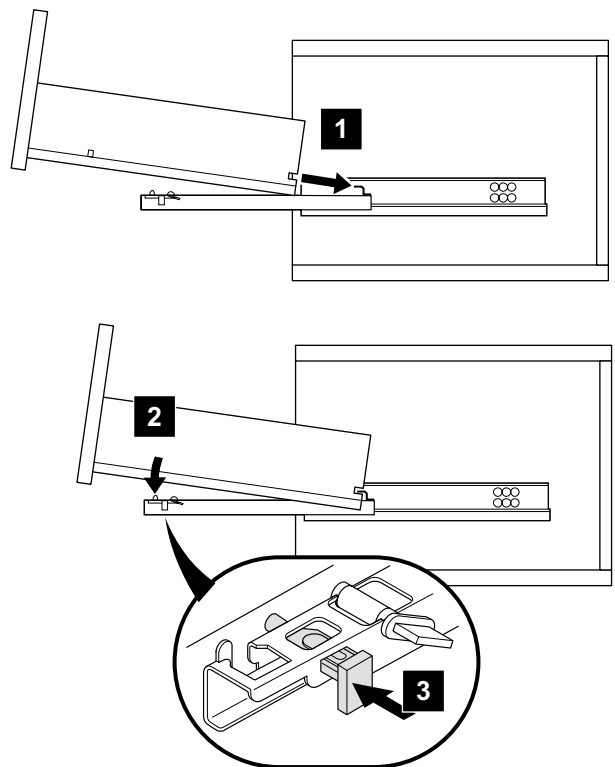
NOTE: Only use anchors (S) if stud (2"x4" frame) is not available.

DRAWER REMOVAL & INSTALLATION

REMOVAL

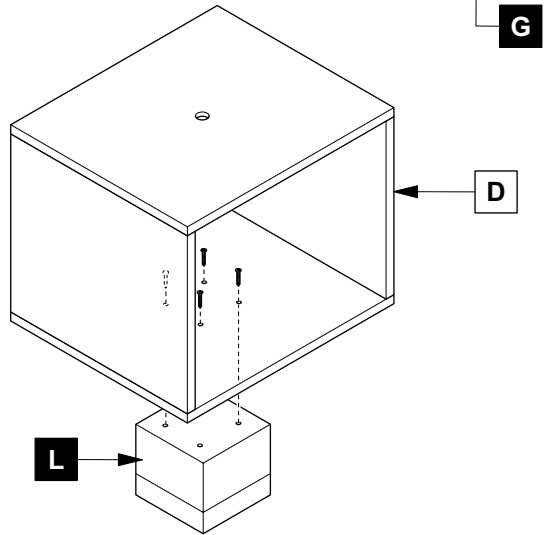


INSTALLATION

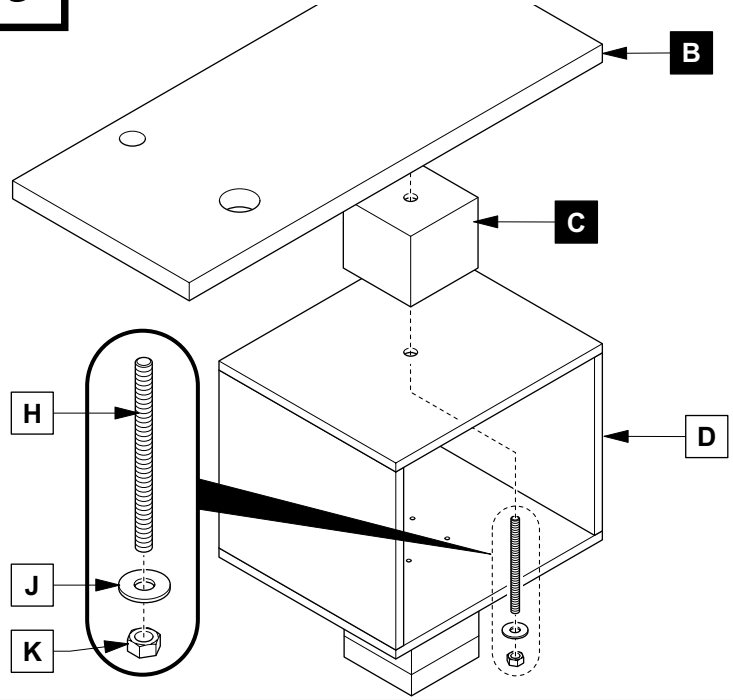


1 Remove drawers (G)

2 Install base block (L)

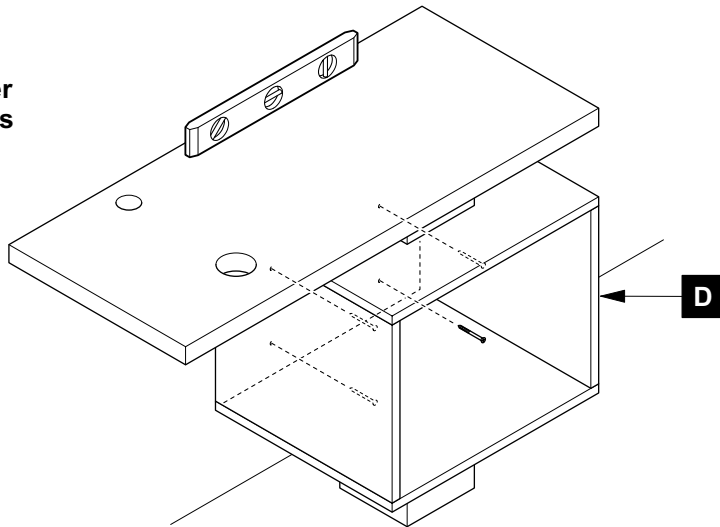


3 Install top block (C) and counter top (B)



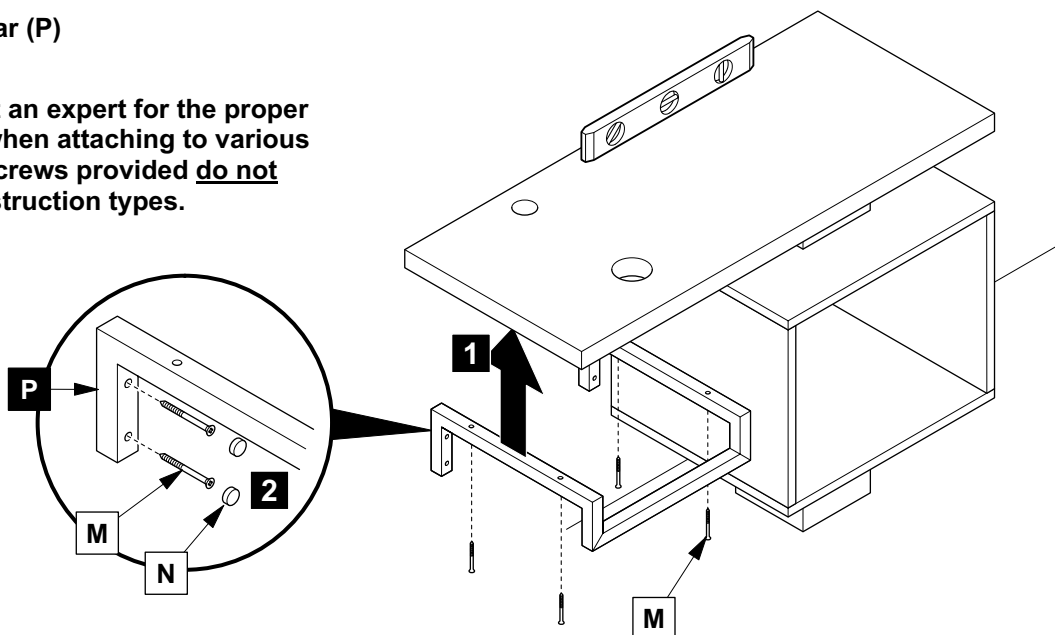
4 Install vanity (D)

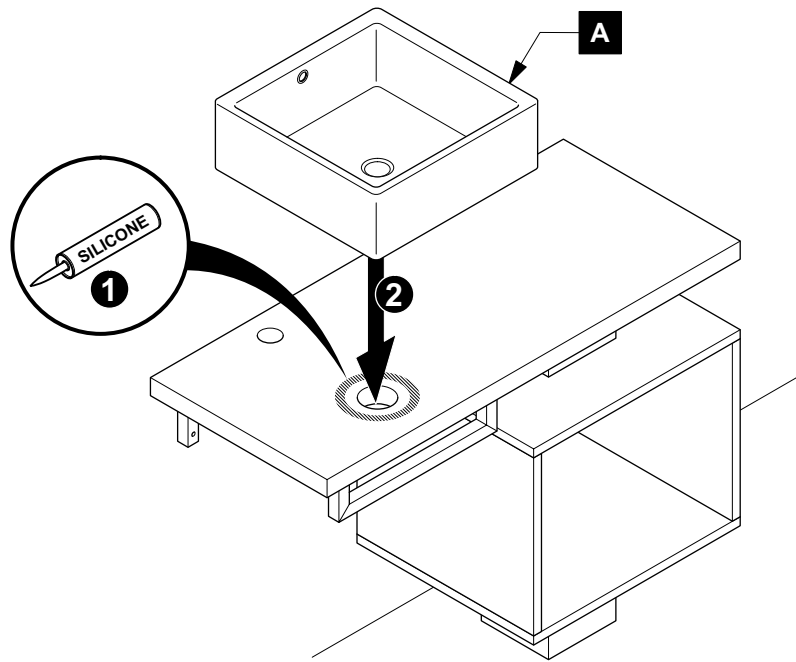
IMPORTANT: Consult an expert for the proper screws/bolts to use when attaching to various wall constructions. Screws provided do not attach to all wall construction types.



5 Install towel bar (P)

IMPORTANT: Consult an expert for the proper screws/bolts to use when attaching to various wall constructions. Screws provided do not attach to all wall construction types.



6**Install sink (A)****7****Install mirror (E)****8****Install side cabinet (F)**

IMPORTANT: Consult an expert for the proper screws/bolts to use when attaching to various wall constructions. Screws provided do not attach to all wall construction types.

