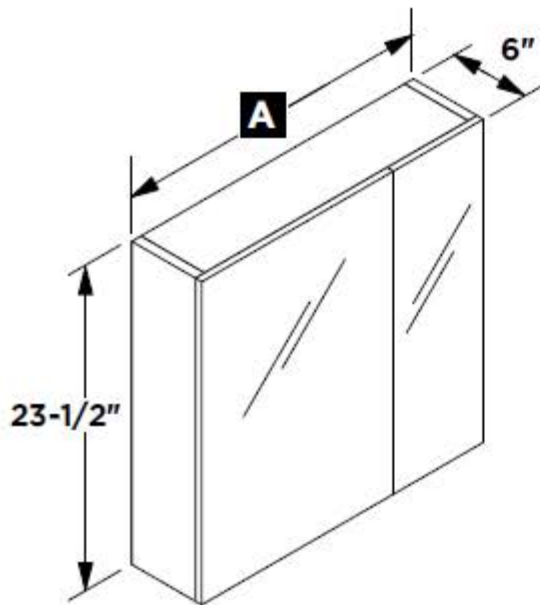
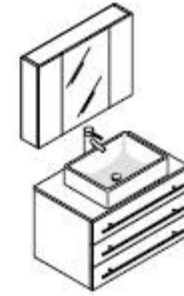




Medicine Cabinet



FVN6185

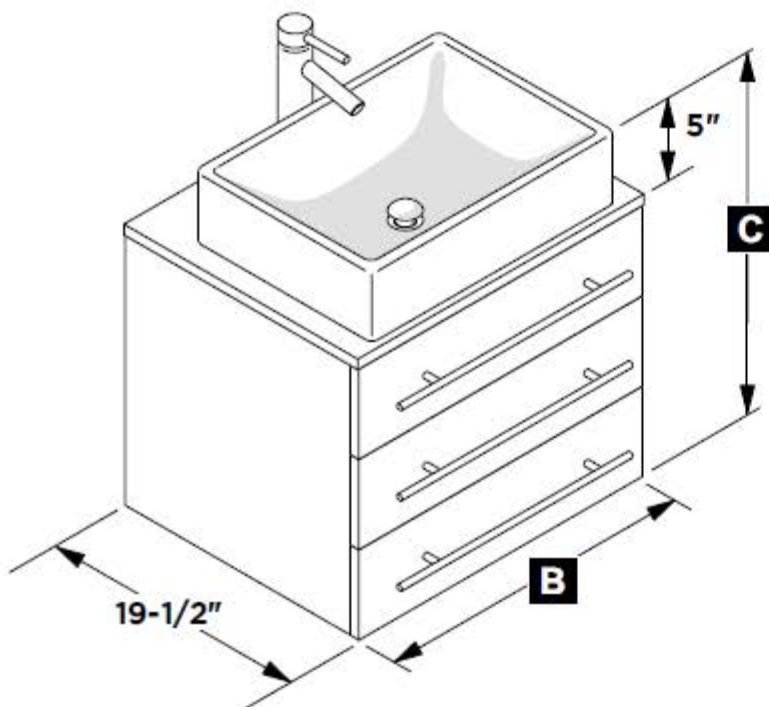


FVN6183

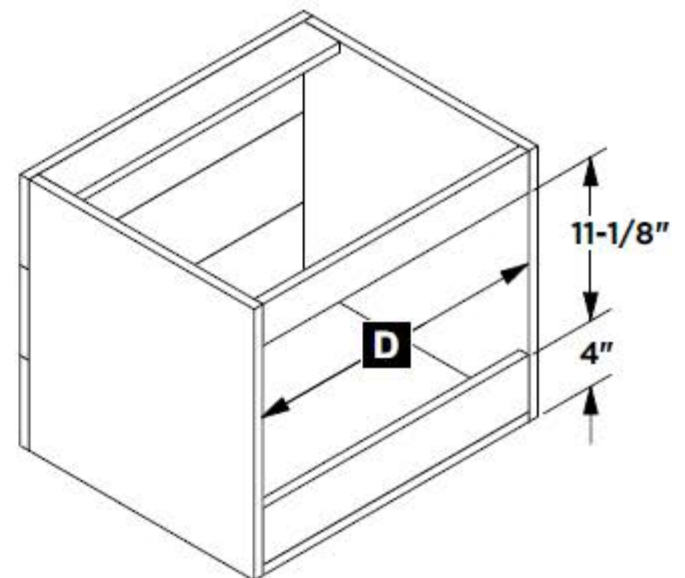
Model	Medicine Cabinet A	Vanity Width B	Vanity Height C
FVN6185	23-3/4"	23-1/2"	24-1/4"
FVN6183	31-1/2"	31-3/4"	25-1/2"

Model	Vanity Back D
FVN6185	21-1/4"
FVN6183	30"

Vanity Front



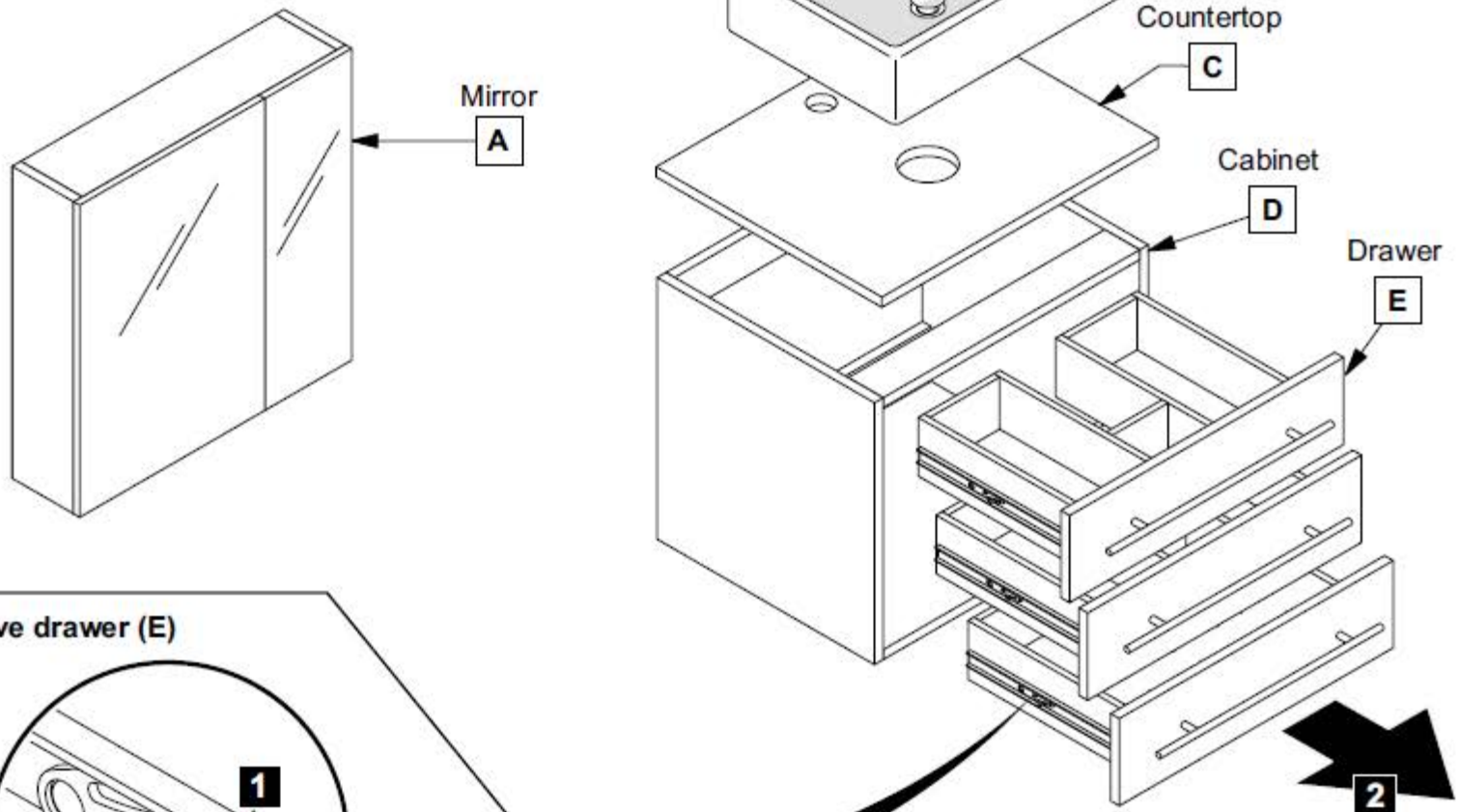
Vanity Back



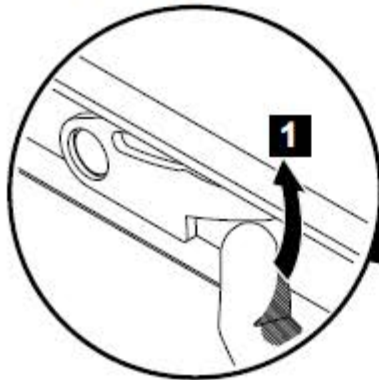
TOOLS FOR ASSEMBLY



PARTS



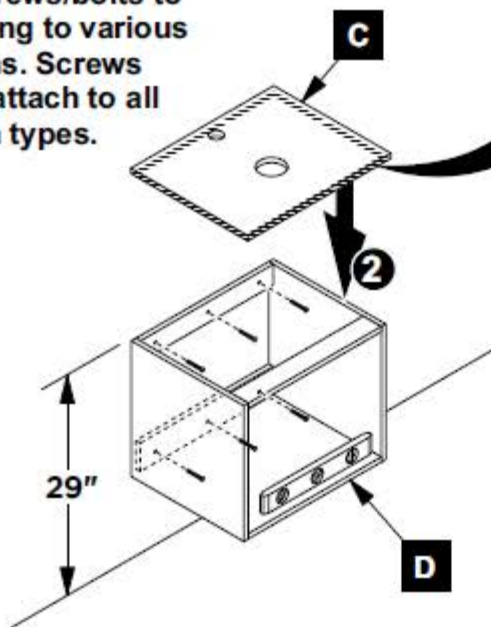
1 Remove drawer (E)



2 Install cabinet (D)

3 Apply silicone and install countertop (C)

IMPORTANT: Consult an expert for the proper screws/bolts to use when attaching to various wall constructions. Screws provided do not attach to all wall construction types.



4 Apply silicone and install sink (B)

5 Install Mirror (A)

