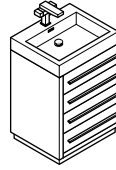
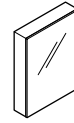
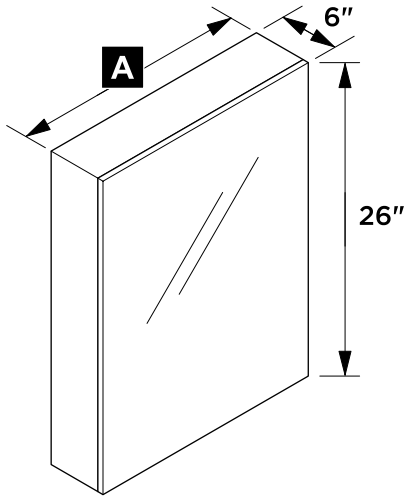
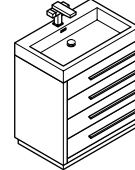
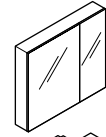


Medicine Cabinet



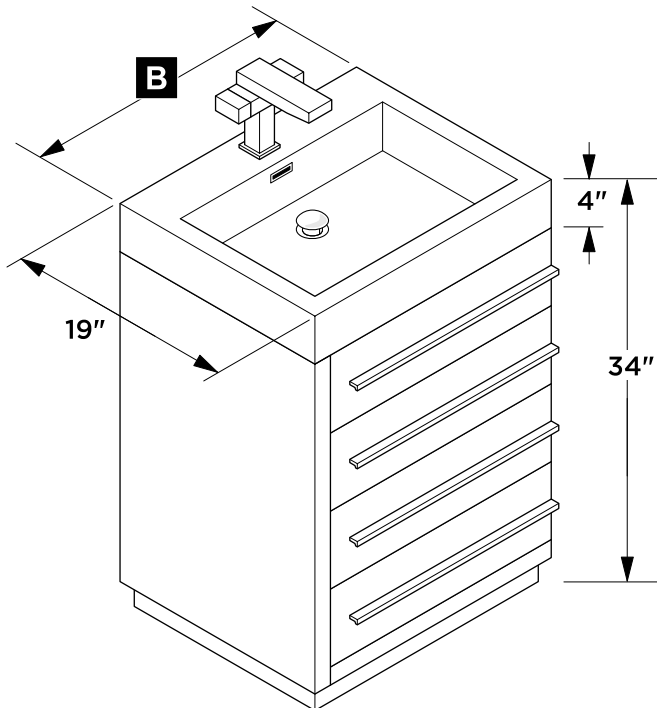
FVN8024



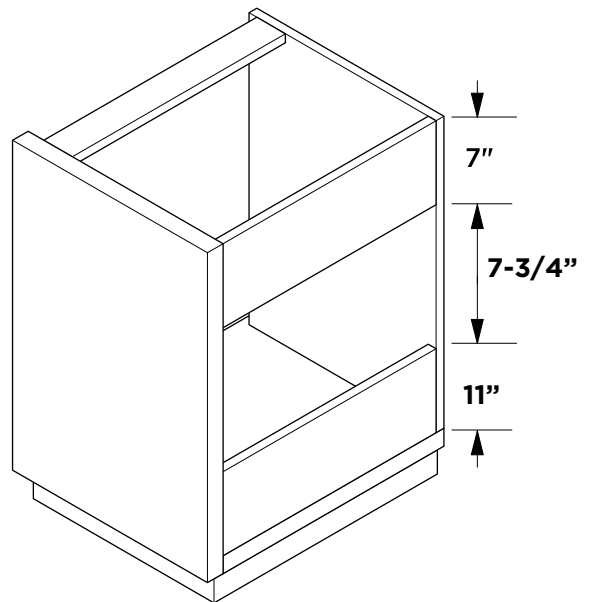
FVN8030

Model	Medicine Cabinet <b>A</b>	Vanity Width <b>B</b>
FVN8024	19.7"	23.6"
FVN8030	30"	29.5"

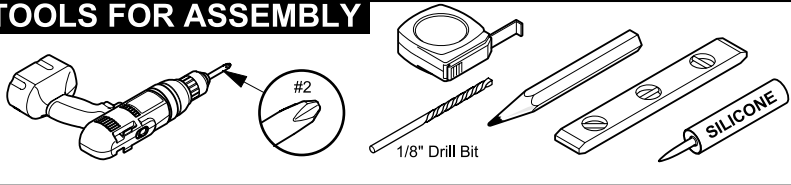
Vanity Front



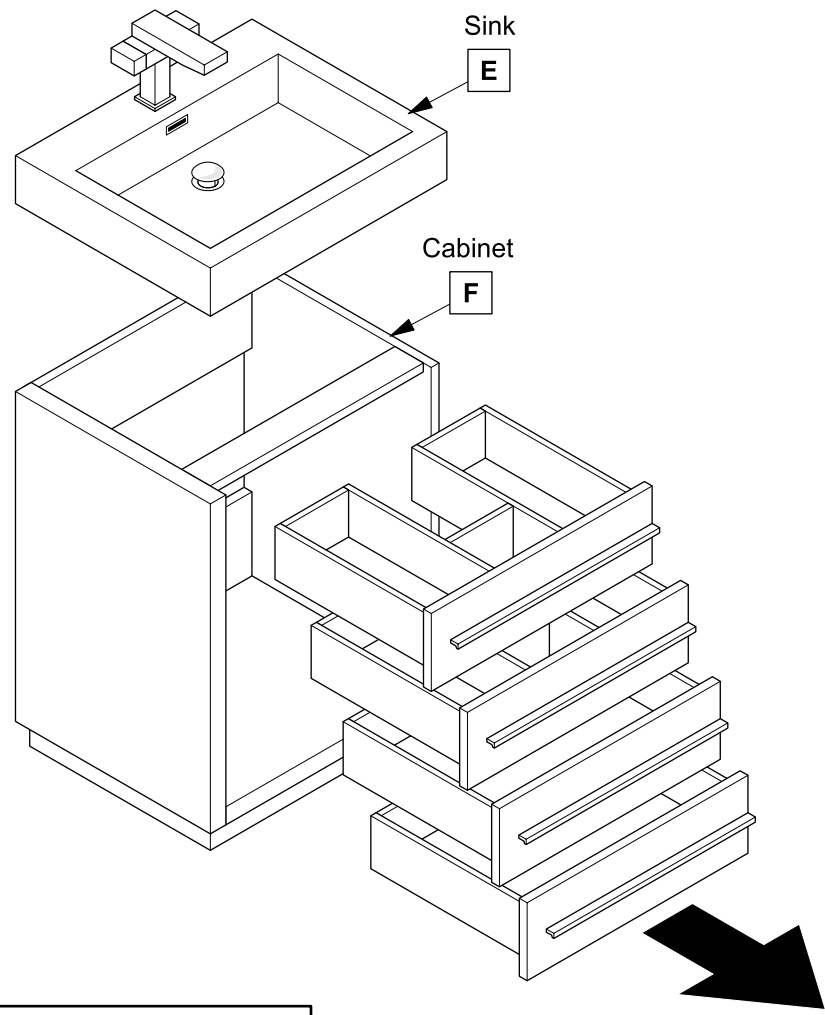
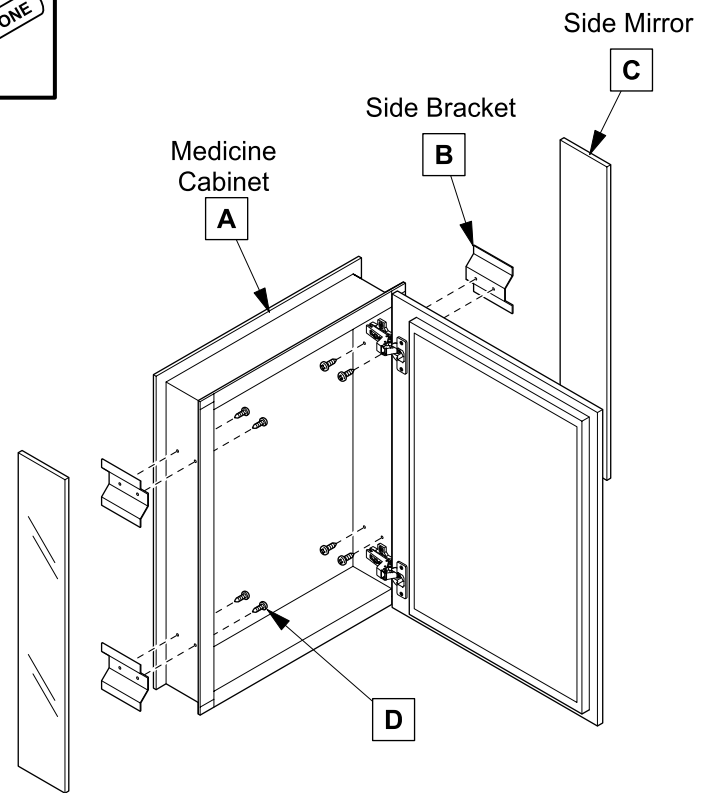
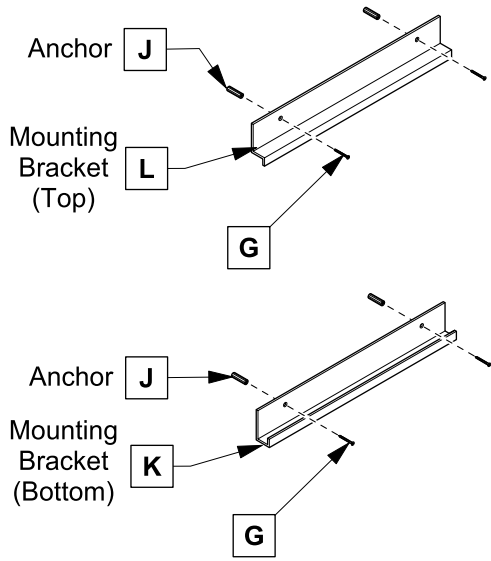
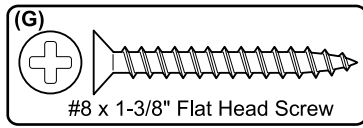
Vanity Back



# TOOLS FOR ASSEMBLY

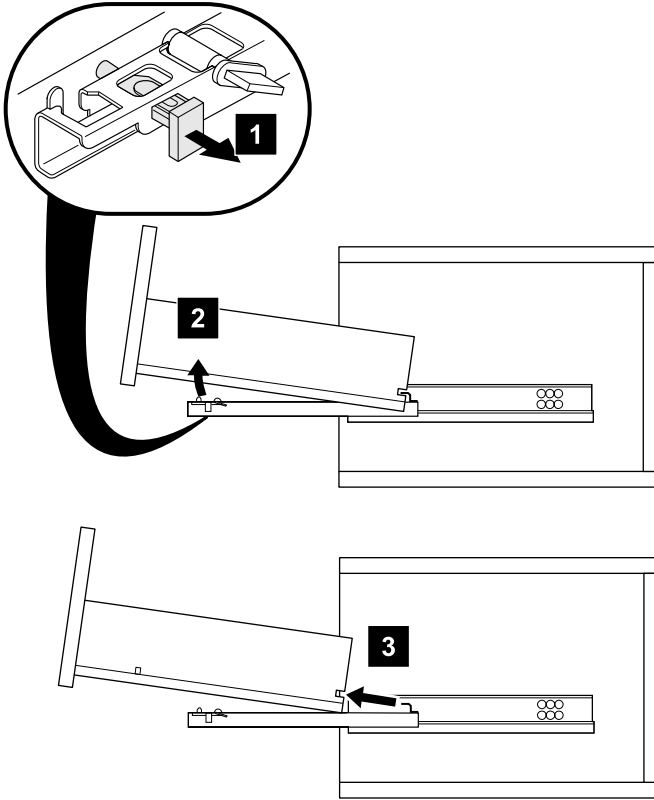


## PARTS

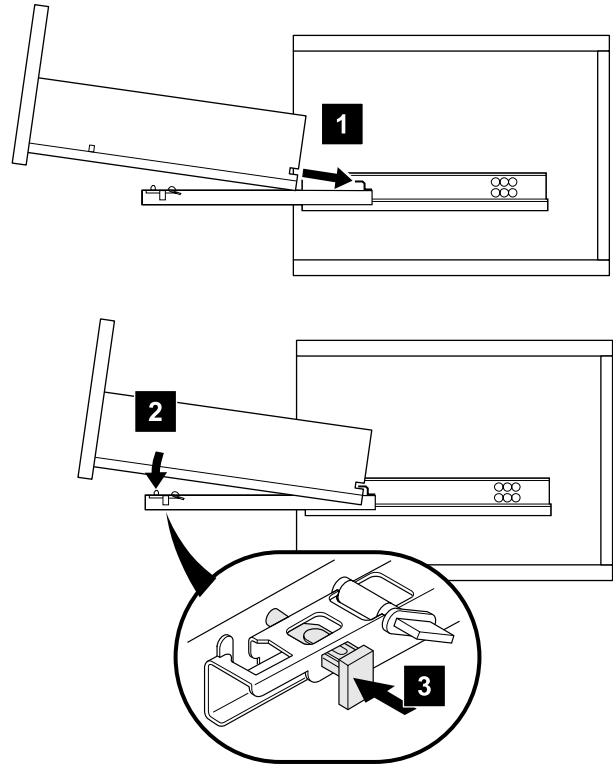


# DRAWER REMOVAL & INSTALLATION

## REMOVAL

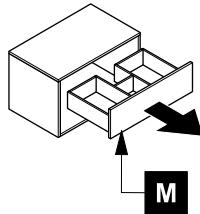


## INSTALLATION

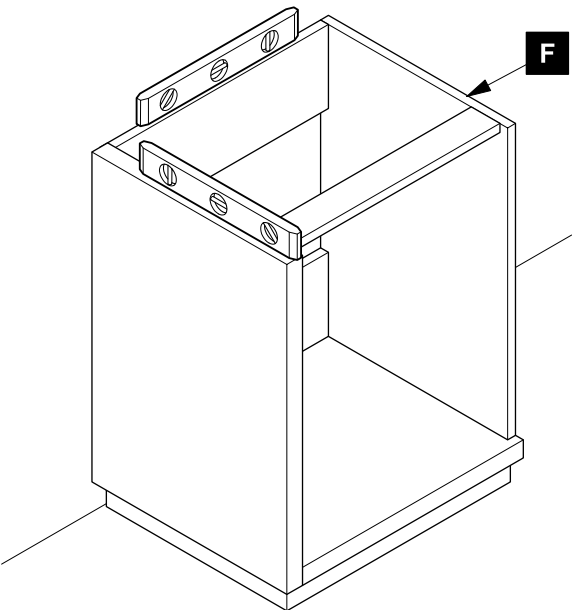


**1** Remove drawer (M)

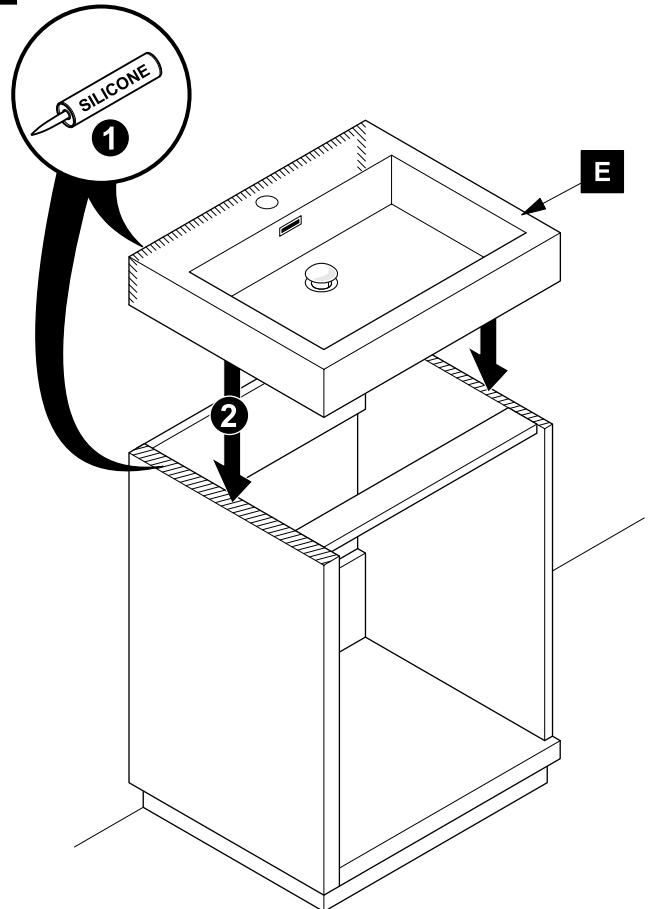
**2** Install cabinet (F)



**IMPORTANT:** Consult an expert for the proper screws/bolts to use when attaching to various wall constructions. Screws provided do not attach to all wall construction types.



**3** Apply silicone and install sink (E)

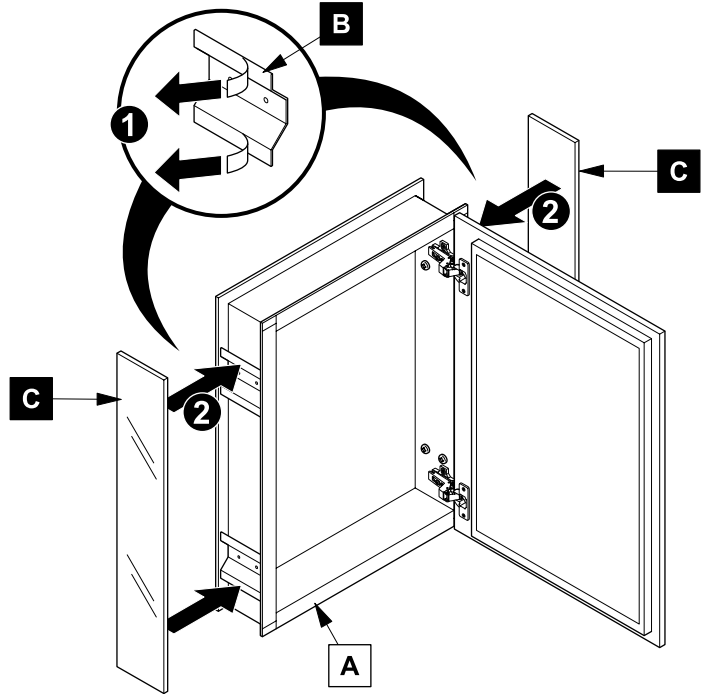
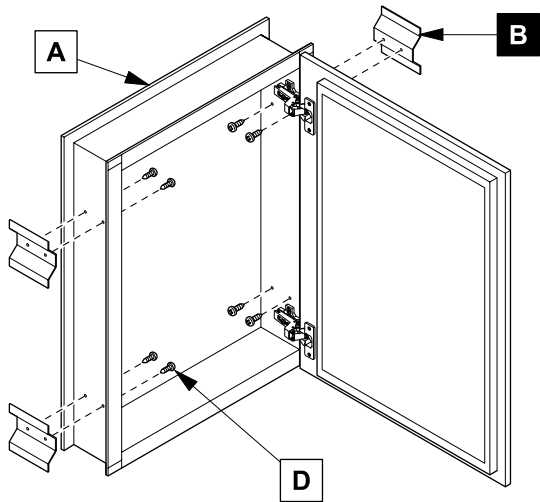


# MEDICINE CABINET INSTALLATION

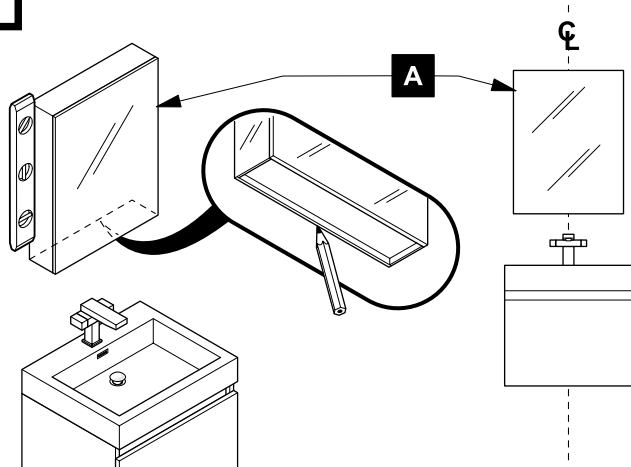
2

Install side mirrors (C)

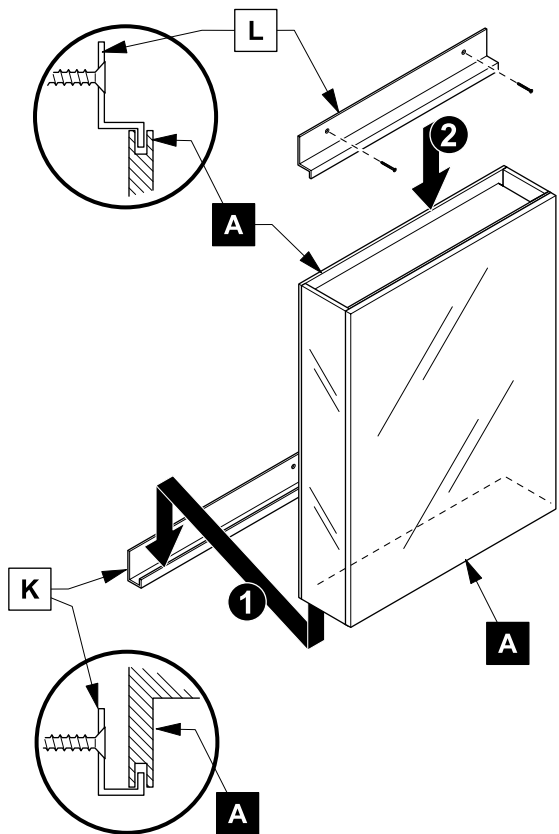
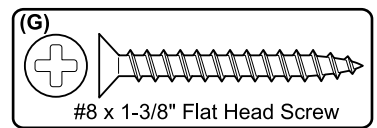
1 Install side brackets (B)



3 Mark cabinet (A) location



5 Install cabinet (A)



4 Install bottom bracket (K)

**IMPORTANT:** Consult an expert for the proper screws/bolts to use when attaching to various wall constructions. Screws provided do not attach to all wall construction types.

