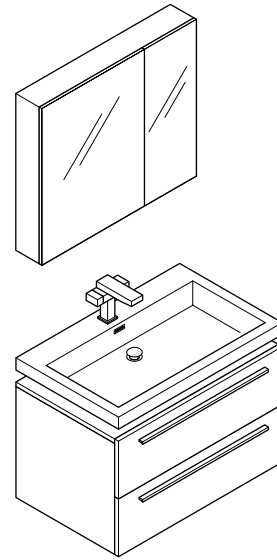
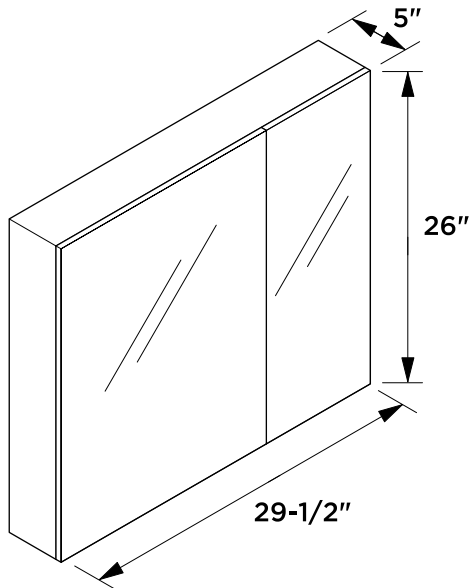
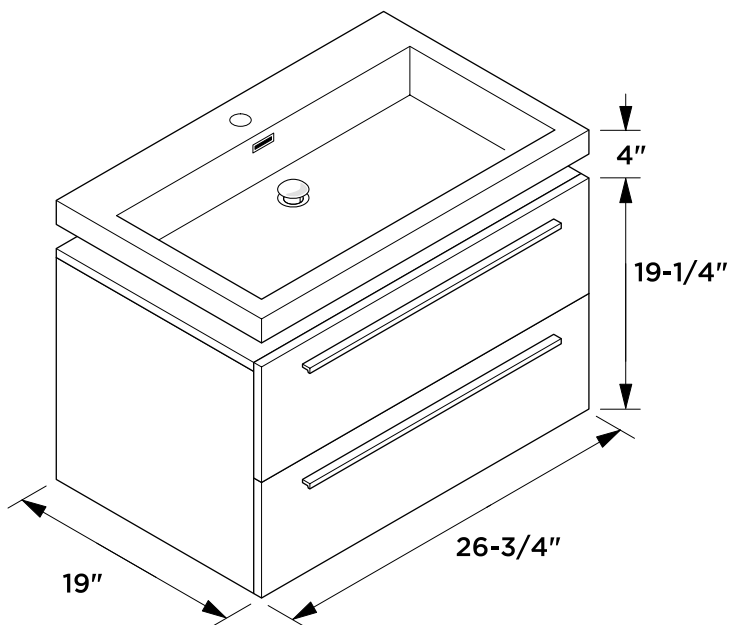


Medicine Cabinet

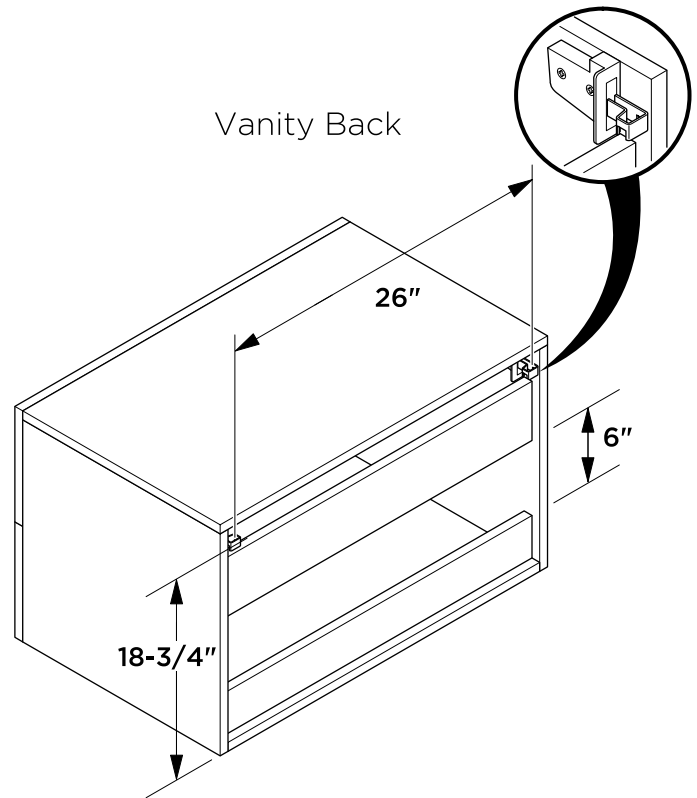


FVN8080

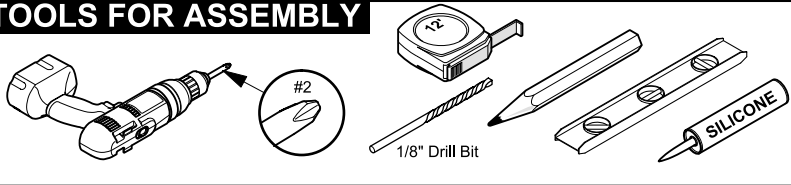
Vanity Front



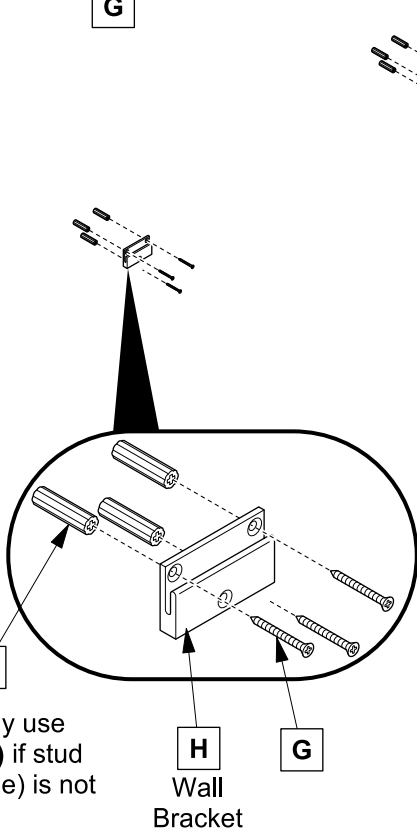
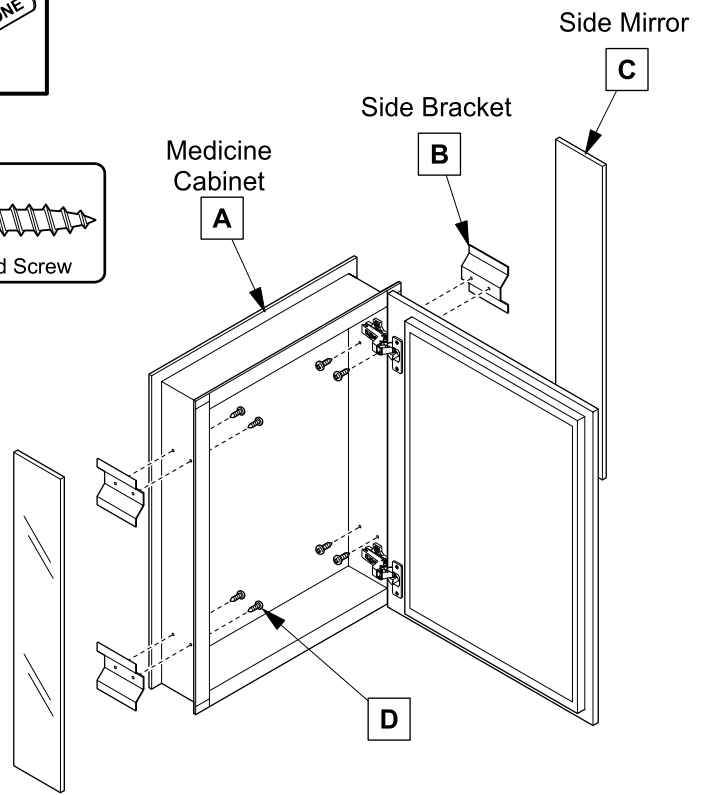
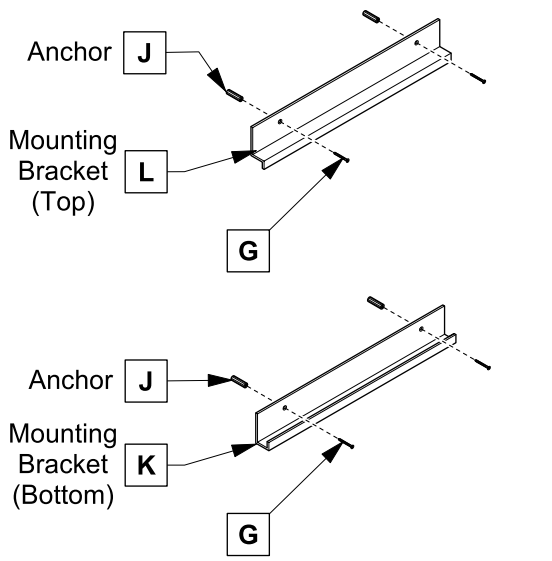
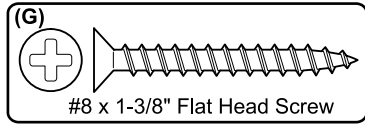
Vanity Back



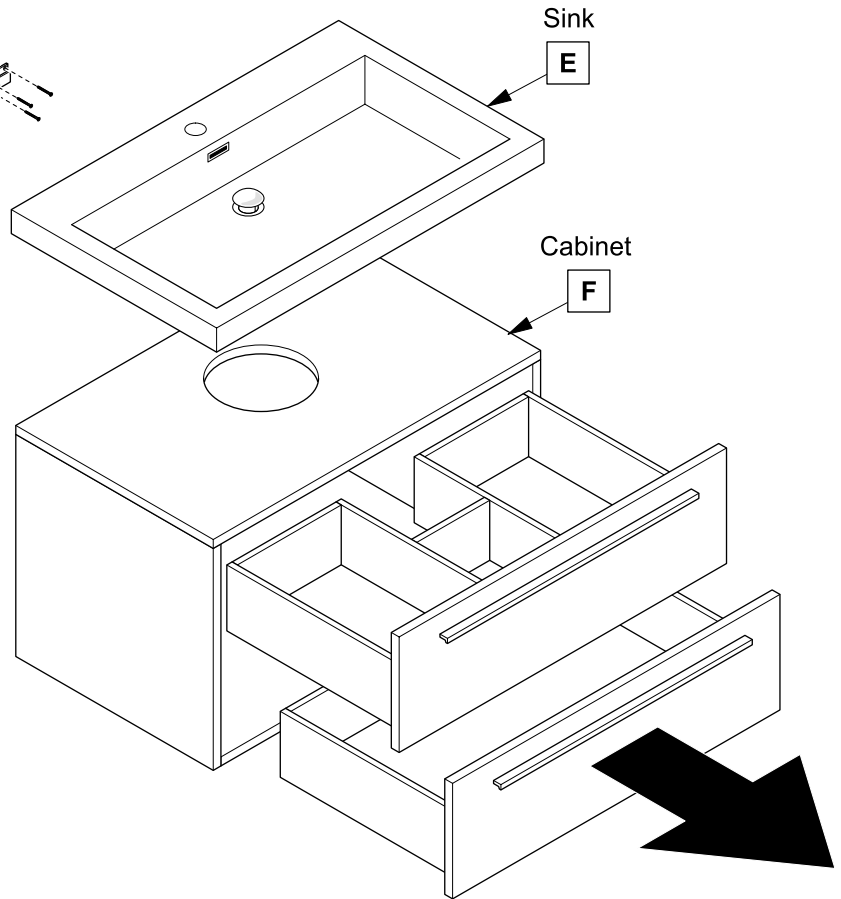
**TOOLS FOR ASSEMBLY**



**PARTS**

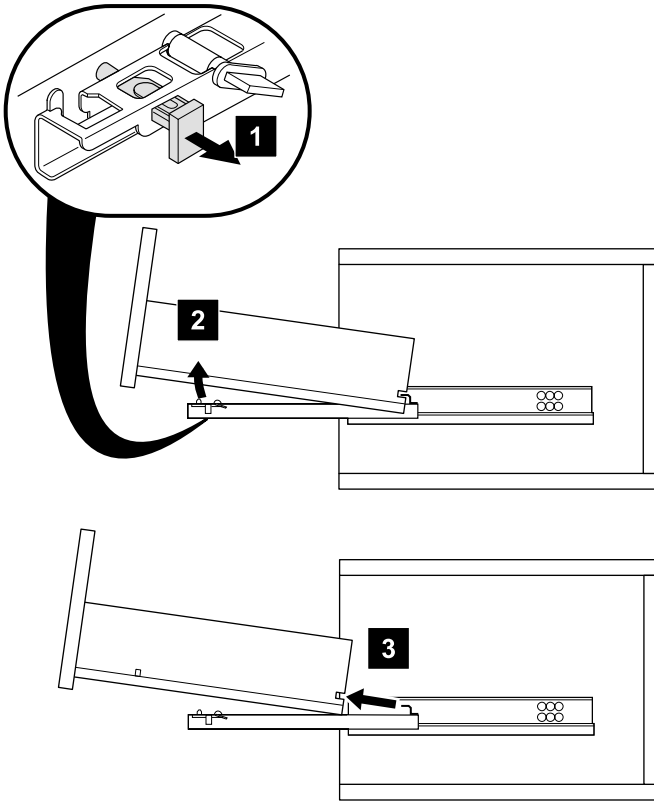


**NOTE:** Only use anchors (J) if stud (2"x4" frame) is not available.

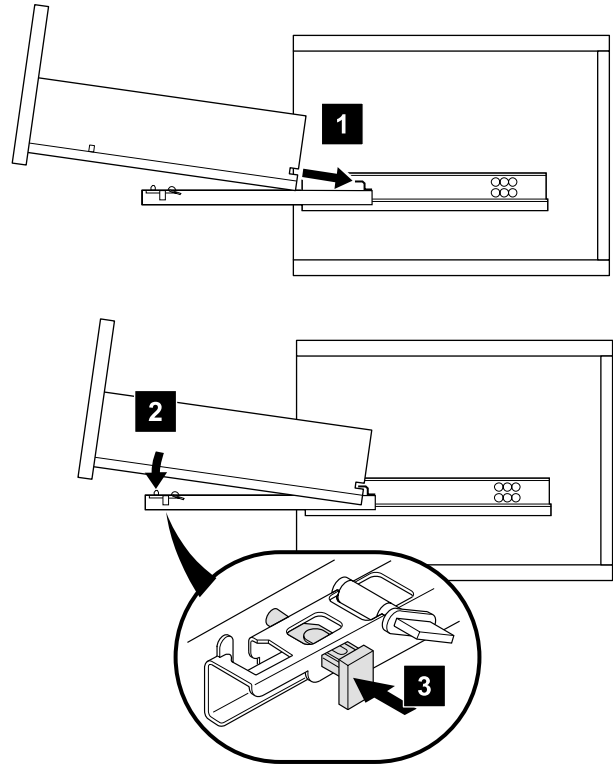


# DRAWER REMOVAL & INSTALLATION

## REMOVAL

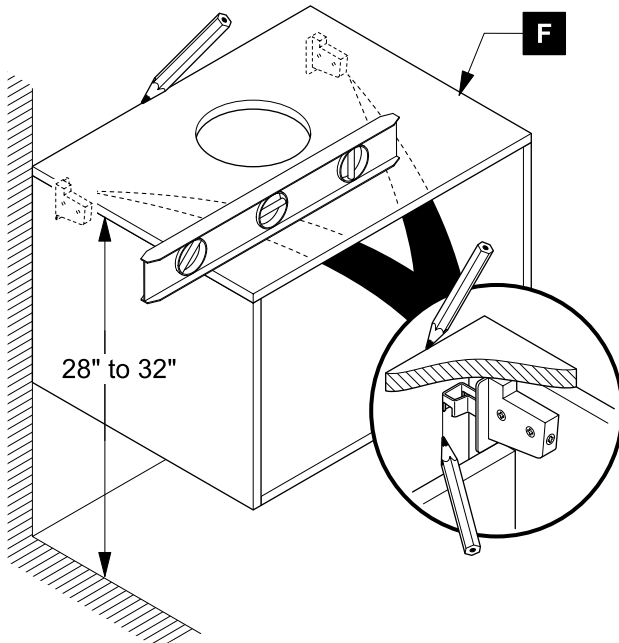
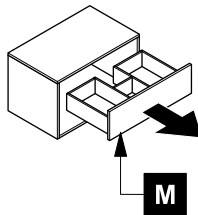


## INSTALLATION



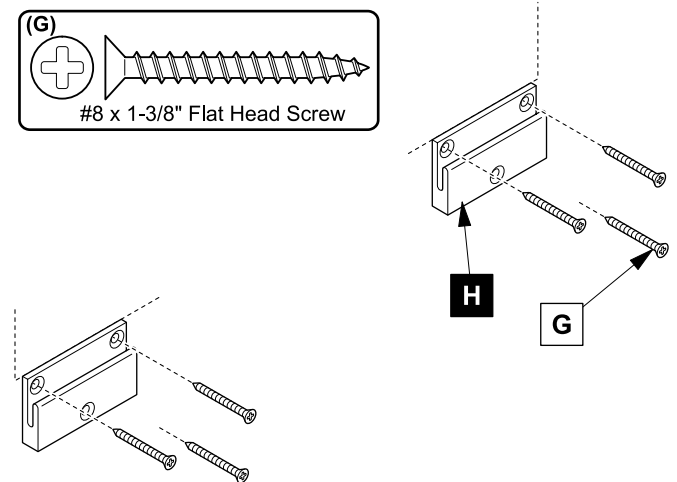
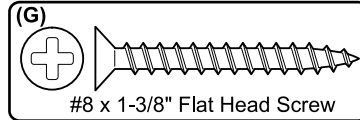
**1** Remove drawer (M)

**2** Locate cabinet (F) & mark location



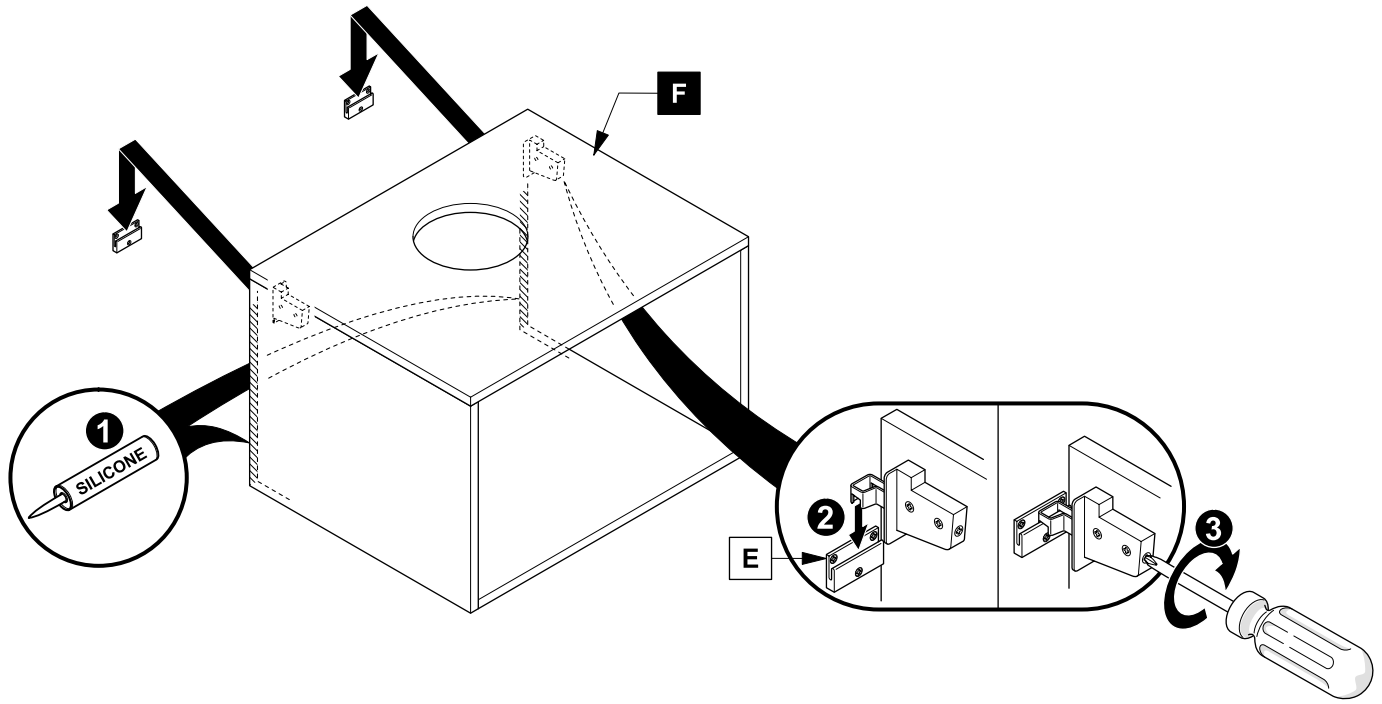
**3** Install wall brackets (H)

**IMPORTANT:** Consult an expert for the proper screws/bolts to use when attaching to various wall constructions. Screws provided do not attach to all wall construction types.



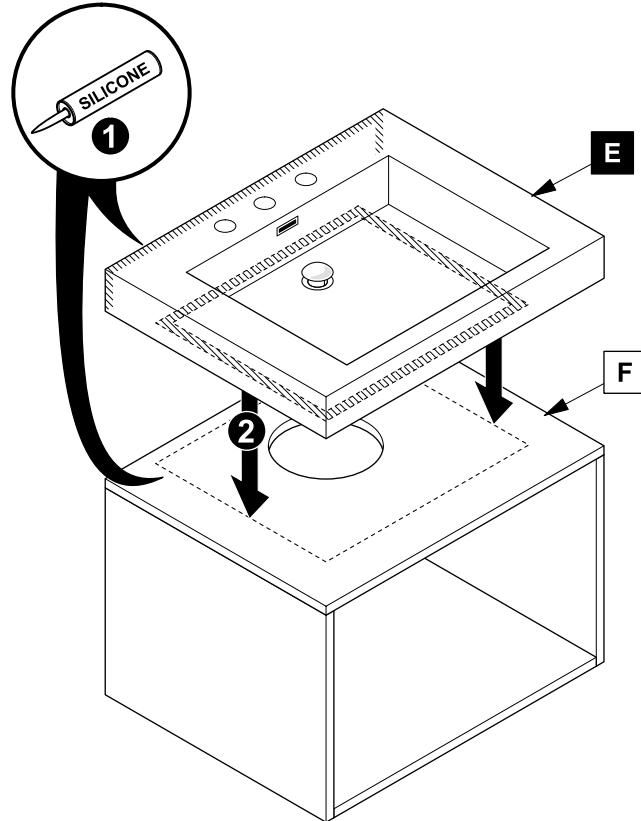
4

Apply silicone and install cabinet (F)



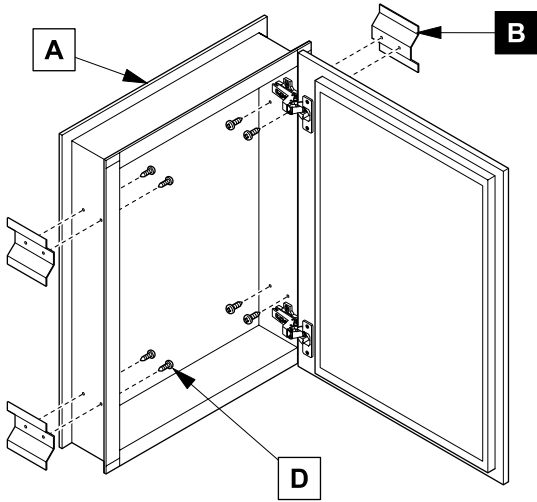
5

Apply silicone and install sink (E)



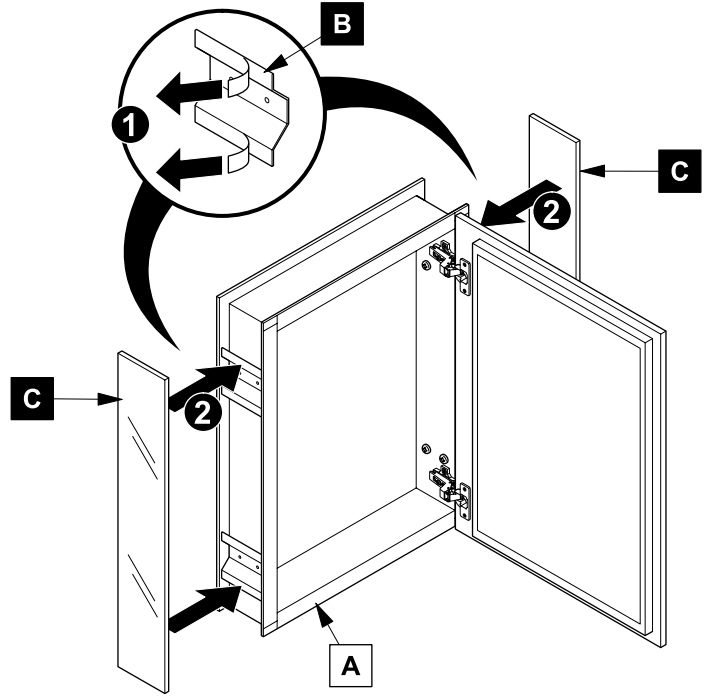
# MEDICINE CABINET INSTALLATION

## 1 Install side brackets (B)

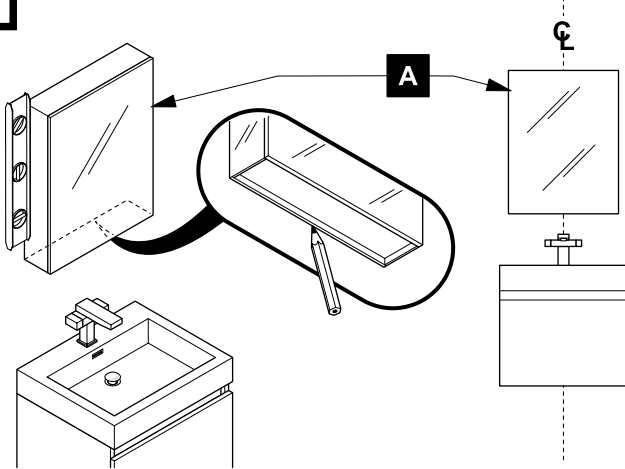


## 2

## Install side mirrors (C)

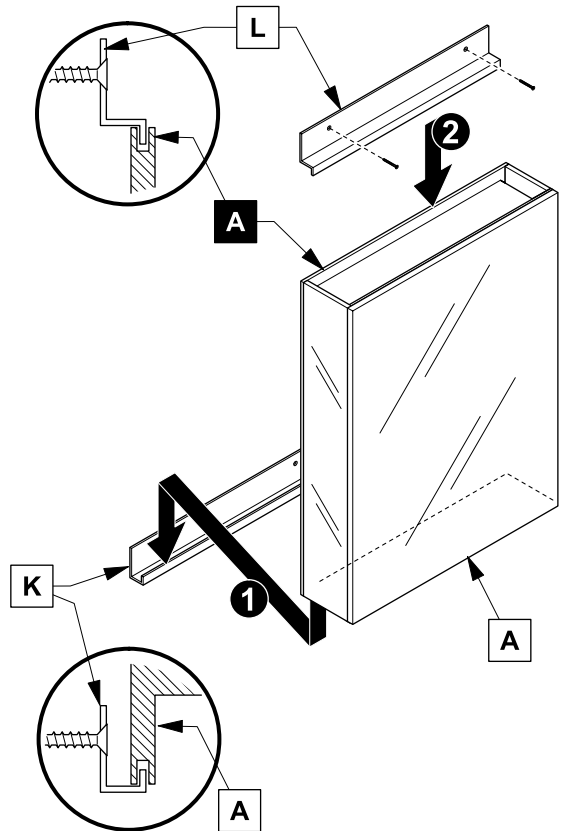
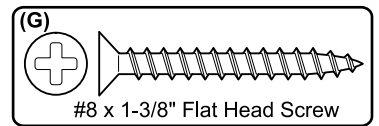


## 3 Mark cabinet (A) location



## 5

## Install cabinet (A)



## 4 Install bottom bracket (K)

**IMPORTANT:** Consult an expert for the proper screws/bolts to use when attaching to various wall constructions. Screws provided do not attach to all construction types.

