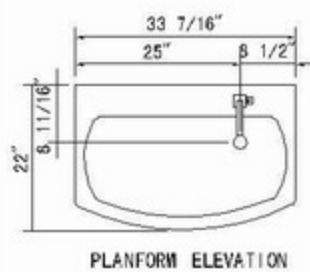
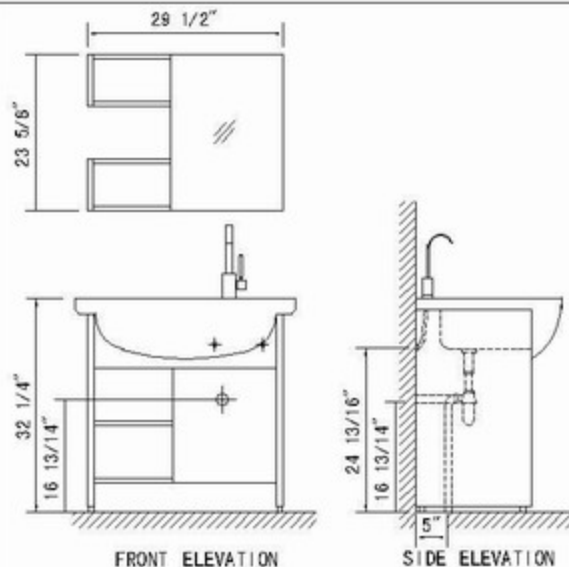
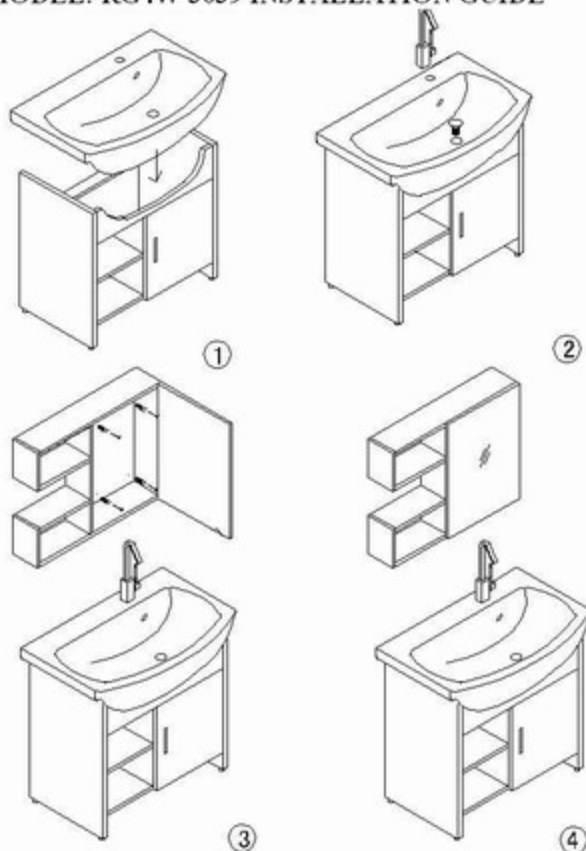
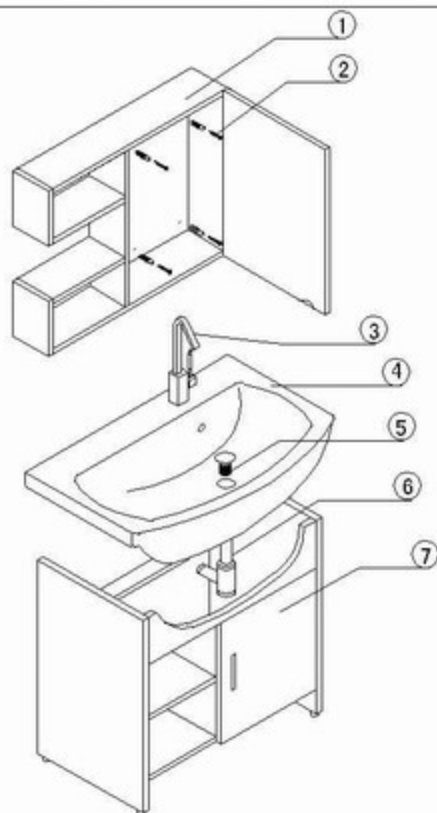


**MODEL: RG-4W-3039 INSTALLATION GUIDE**



**MODEL: RG-4W-3039 PACKING LIST**



NO.	ASSEMBLY NAME	QUANTITY
①	MIRROR CABINET	1
②	SELF-TAPPING SCREW	4
③	FAUCET	1
④	CERAMIC BASIN	1
⑤	POP-UP WASTE	1
⑥	DRAINAGE	1
⑦	CABINET	1