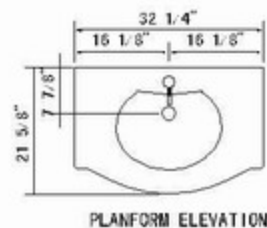
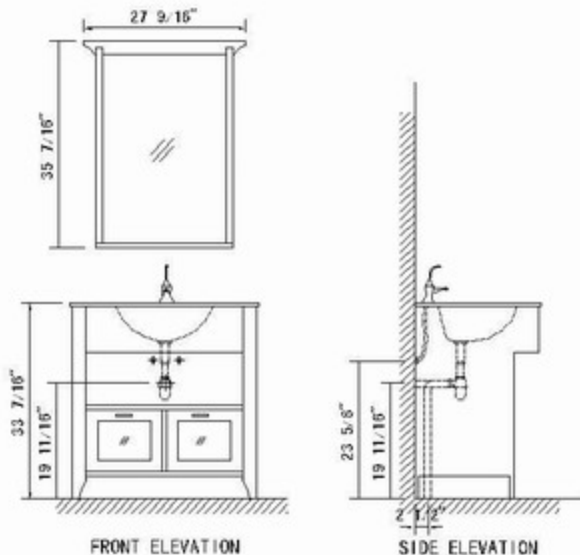
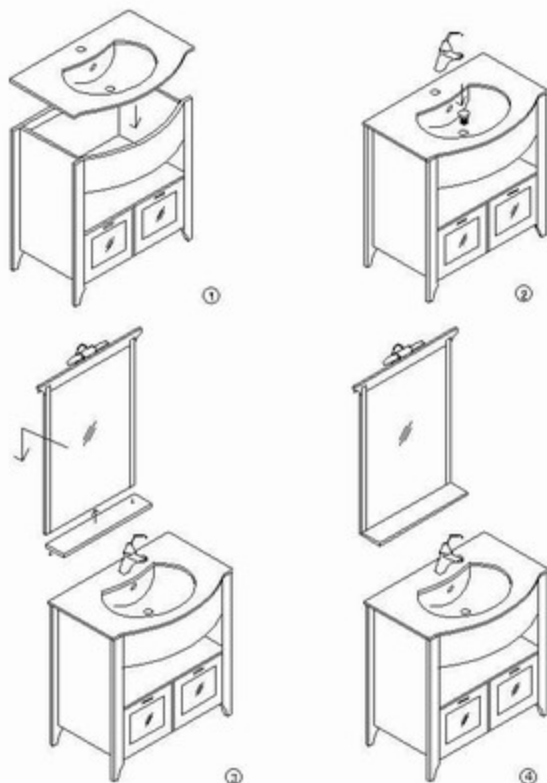
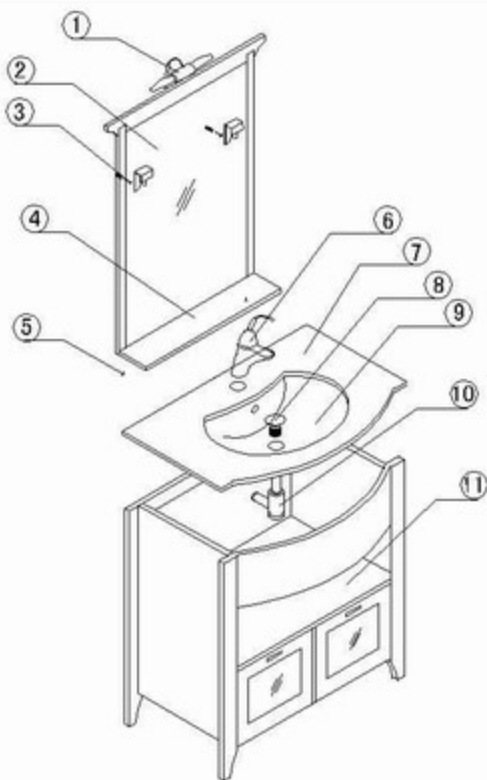


**MODEL: RG4W-3066 INSTALLATION GUIDE**



**MODEL: RG4W-3066 PACKING LIST**



NO.	ASSEMBLY NAME	QUANTITY
①	LAMP	1
②	MIRROR	1
③	SELF-TAPPING SCREW	2
④	MIRROR SHELF	1
⑤	SCREW	2
⑥	FAUCET	1
⑦	COUNTERTOP	1
⑧	POP-UP WASTE	1
⑨	CERAMIC BASIN	1
⑩	DRAINAGE	1
⑪	CABINET	1